

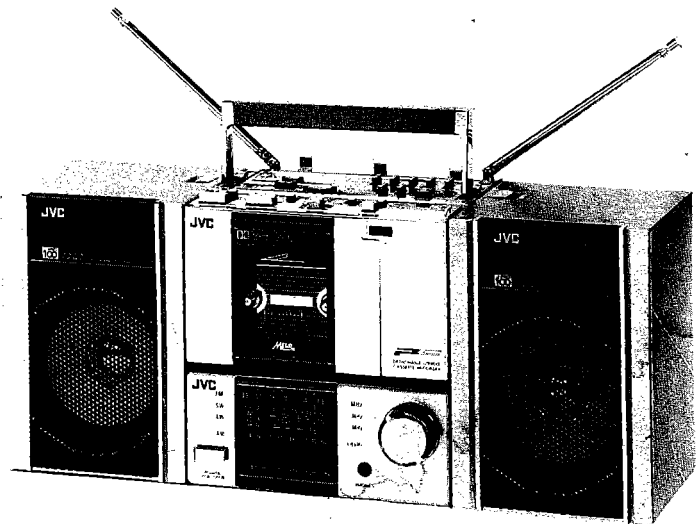
JVC

SERVICE MANUAL

MODEL

PC-M100 C/W/JW/WH

PORTABLE COMPONENT SYSTEM



No. 1527

May 1983

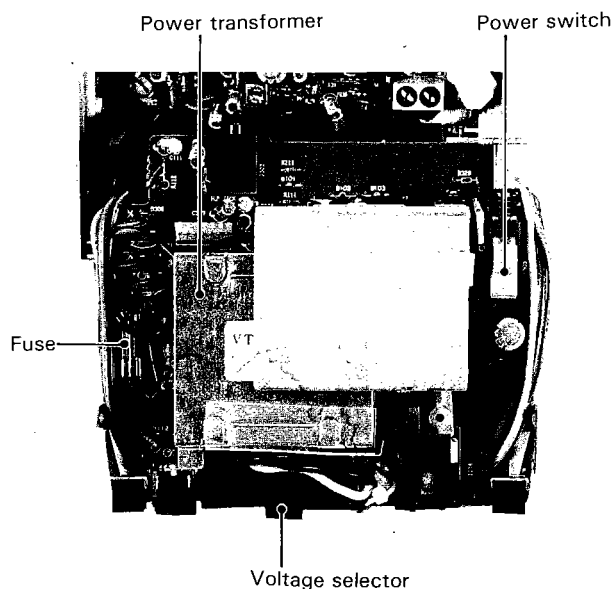
Contents

	Page		Page
Safety Precaution	2	Preamplifier P.W. Board Parts List	19
Features	3	Enclosure Assembly and Electrical Parts	20
Specifications	3	Enclosure Assembly and Electrical Parts List (Receiver Parts)	21
Names of Controls and Connection Terminal	4	Disassembling the Deck Section	23
Attaching and Detaching the Handle	5	Block Diagram	24
Attaching and Detaching the Speakers	6	Standard Schematic Diagram of PC-M100 (Cassette Deck)	25
Attaching and Detaching the Deck Section	7	Cassette Amplifier Adjustment	26
Main Parts Location	8	Cassette Mechanism Section	27
Receiver Section	8	Location of P.W. Board Parts and Parts List (Cassette)	28
Deck Section	9	Cassette Amplifier Parts List	29
Speaker System	9	Wiring Connection (Cassette Deck)	31
Disassembling the Receiver Section	10	Enclosure Assembly Parts (Cassette Mechanism)	32
Tuner Alignment	11	Enclosure Assembly Parts List (Cassette Deck)	33
Block Diagram	14	Mechanical Component Parts List	34
Standard Schematic Diagram of PC-M100 (Tuner Circuit)	15	Mechanical Component Parts	35
Standard Schematic Diagram of PC-M100 (Amplifier Circuit)	16	Exploded View, Wiring Connection and Parts List for Speakers	36
Wiring Connection	17	Speaker System Assembly Parts List	37
How to Engage Dial Cord	18	Wiring Connection	38
P.W. Board Parts and Parts List (Tuner P.W. Board)	18	Replacement of Main Parts List	39
Tuner P.W. Board Parts List	18	Accessories	41
Power Amplifier P.W. Board Parts	19	Packing and Packing Parts List	Back Cover
Power Amplifier P.W. Board Parts list	19		
Preamplifier P.W. Board Parts	19		

Safety Precaution

⚠ Safety mark

Safety is very important with this unit. When replacing the parts marked ⚠, be sure to use only those designated parts. The designated resistors, diodes, transistors become hot in use. When replacing, be sure to secure them with a distance of more than 5 mm from the circuit board. In addition, they are banded together to avoid touching other wiring, recheck this point as well after repair. The wiring of the primary side should be wound more than one and half times, then soldered.



Safety Component Parts List ⚠

Ref. No.	Parts No.	Parts Name	Remarks	Q'ty
R11	QRD161J-470	Carbon Resistor	47 Ω 1/6 W	1
R12	" -560	"	56 Ω "	1
R24	QRD141J-150	"	15 Ω 1/4 W	1
R113	QRH141J-4R7	Fusible Resistor	4.7 Ω "	1
R213	" -4R7	"	" "	1
R305	QRD161J-152	Carbon Resistor	1.5 kΩ 1/6 W	1
R314	" -391	"	390 Ω "	1
R327	QRH141J-4R7	Fusible Resistor	4.7 Ω 1/4 W	1
R704	QRS188J-100	M.G. Resistor	10 Ω 1/8 W	1
C318	QET41CR-228	E. Capacitor	2200μF 16 V	1
IC303	TA7232P	I.C.		1
Q306	2SD1266(P,Q)	Transistor		1
D301	10E2	Diode		1
D302	"	"		1
D304	HZ6A2	Zener Diode		1
D305	10E2	Diode		1
D306	"	"		4
~ 309				
J303	QMA1221-004	Jack		1
J304	QMC0262-003	AC Socket Ass'y		1
S305	QSS2325-103	AC Switch	PC-M100JW/C	1
"	" -112	" (Slide)	PC-M100W/WH	1
T301	VTP09C2-12C	Power Transformer	PC-M100JW	1
"	VTP09Z2-12B	"	PC-M100W	1
"	VTP09A2-12C	"	PC-M100C	1
"	VTP09T2-12C	"	PC-M100WH	1
—	QMF51C3-2R0	Fuse	PC-M100JW/C (T200mA)	1
—	" -R25	"	PC-M100W/WH (T250mA)	1
S303	QST2101-V04	Push Switch	PC-M100JW/W	1
	XDE-5A3RC	Motor		1

Features

1. Package of 4 mini components
2. ANRS/DOBLY* B NR (Noise Reduction) system (Rec/Play)
3. Cassette deck is usable as headphone stereo player
4. 3-way power supply
5. Music Scan** facility (with the cassette section connected to the receiver)
6. 4-Band Receiver
 - High output with small size
 - Fine tuning
 - Bass/Treble tone controls
 - Variable monitor

7. Piggyback stereo cassette deck
 - ANRS/Dolby B noise reduction system
 - Anti-rolling mechanism
 - Built-in electret condenser microphone
 - Metal tape compatible
8. Micro Speakers
 - 9.2 cm (3-5/8") full range speaker × 2

* Noise reduction system manufactured under license from Dobby Laboratories Licensing Corporation.

* "Dobly" and the double-D symbol are trademarks of Dobby Laboratories Licensing Corporation.

** "Under license of Staar S.A. Brussels, Belgium."

Specifications

General

Frequency ranges	: FM 88—108 MHz AM 540—1600 kHz SW1 2.3—7 MHz SW2 7—22 MHz
Antennas	: Telescopic antennas for FM, SW Built-in ferrite core antenna for AM, SW1
Input jacks	: AUX IN (mini-plug 3.5 mm dia.) × 2 Minimum input level 78 mV Input impedance 20 kΩ
Output jacks	: EXT SPK (4-pin) × 2, 4 W (3.2 Ω) Matching impedance 3.2—8 Ω PHONES (Stereo mini-plug 3.5 mm dia.) × 1, 0—50 mW (32 Ω)
Power output	: Max. 10 W (5 W + 5 W) (3.2 Ω) Music power 12 W (6 W + 6 W) (3.2 Ω, AC) FTC indication 2 watts per channel, min. RMS, at 3.2 ohms from 100 Hz to 15 kHz, with no more than 10% total harmonic distortion
Power supply	: AC 230/127/110 V, 50/60 Hz (PC-M100W) AC 240 V, 50/60 Hz (PC-M100WH), AC 240/220/120 V, 50/60 Hz (PC-M100JW) AC 120 V 50/60 Hz (PC-M100C) DC 12 V (R14 ("C") battery × 8), Car battery through a car battery adapter
Power consumption	: 16 watts (with the POWER switch set to ON)
Dimensions	: 350(W) × 194(H) × 135(D) mm (13-3/8" × 7-3/4" × 5-3/8") (with antennas retracted and handle folded back)
Weight	: Approx. 3.6 kg (7.9 lbs) (including batteries)

Cassette deck section

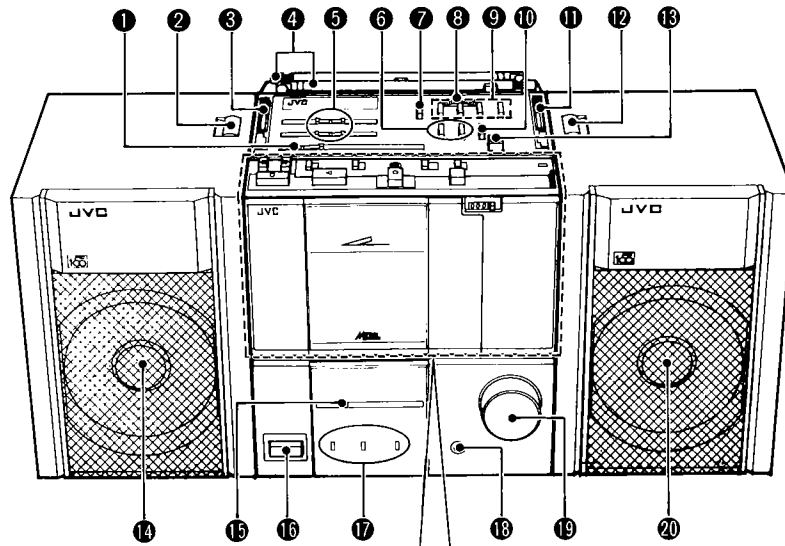
Track system	: Stereo
Heads	: 2 Gap ferrite + magnet head for erasure, METAPERM head for recording/playback

Wow and flutter	: 0.2% (WRMS)
Fast forward time	: Approx. 105 sec. (C-60 cassette)
S/N ratio	: 50 dB (Metal)
Frequency response	: 60—14,000 Hz (Metal) 60—13,000 Hz (Normal)
Input jacks	: EXT MIC (stereo mini-plug 3.5 mm dia.) × 1, Minimum recording input level 0.78 mV (−62 dBV), Matching impedance 200 Ω—2kΩ
Output jacks	: PHONES (stereo mini-plug 3.5 mm dia.) × 1, output level 15 mW/32 Ω Matching impedance 16—32 Ω
Power output	: Total 30 m watts (15 mW + 15 mW) (32 Ω)
FTC indication	: 2 watts per channel, min. RMS, at 3.2 ohms from 100 Hz to 15 kHz, with no more than 10% total harmonic distortion
Power supply	: DC 3 V (R6 ("AA") battery × 2)
Dimensions	: 142(W) × 87.5(H) × 36(D) mm (5-5/8" × 3-3/8" × 1-1/2") (including pads and controls) 142(W) × 82.5(H) × 36(D) mm (5-5/8" × 3-1/2" × 1-1/2") (excluding pads and controls)
Weight	: Approx. 380 g (0.8 lbs) (including batteries)
Speaker section	
Type	: Full-range bass reflex system (book-shelf type)
Speaker units	: 9.2 cm (3-5/8"), cone × 1
Impedance	: 3.2 Ω
Rated input	: 4 watts
Dimensions	: 104(W) × 150(H) × 99(D) mm (4-1/8" × 6" × 4") including pads
Weight	: Approx. 930 g (2 lbs) (with batteries)

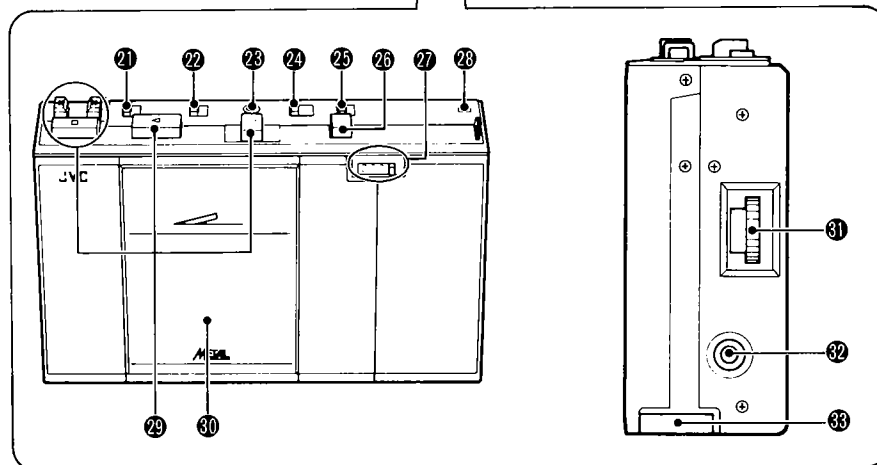
Design and specifications are subject to change without notice for improvement.

Names of Controls and Connection Terminals

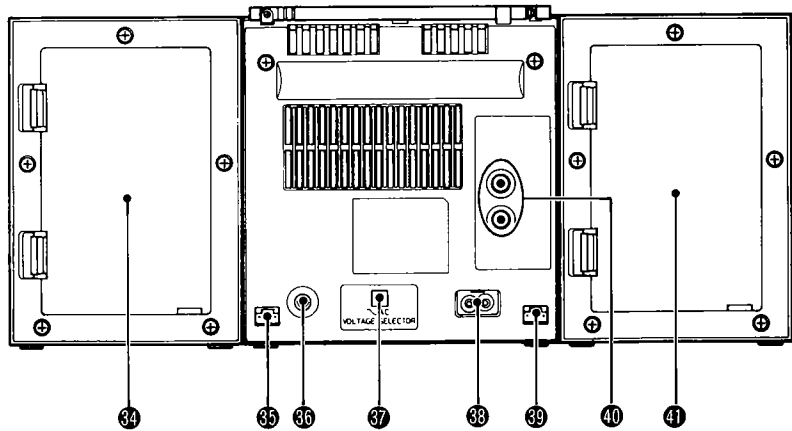
Stereo Receiver and Speaker Unit



Cassette Deck (Headphone stereo player)



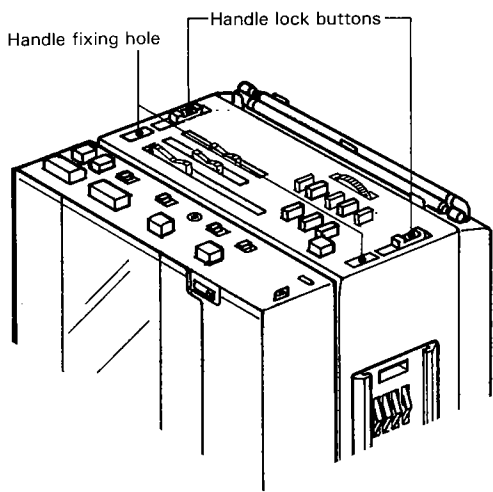
- | | |
|---|---|
| ① VOLUME control | ②⑩ Right speaker |
| ② Speaker release button (Left) | ②① PAUSE switch |
| ③ Handle lock button (Left) | ②② TAPE switch |
| ④ Telescopic antennas | ②③ MIC jack (3.5 mm dia.) |
| ⑤ BASS/TREBLE controls | ②④ BEAT CUT switch |
| ⑥ FUNCTION switch ((AUX (— —)/RADIO (— —)/TAPE (— —)) | ②⑤ ANRS/DOBLY B NR switch |
| ⑦ MODE switch (STEREO/MONO) | ②⑥ EJECT button |
| ⑧ FINE TUNING knob for SW reception | ②⑦ COUNTER/reset button |
| ⑨ BAND switches (FM/SW2/SW1/AM) | ②⑧ BATTERY indicator |
| ⑩ MUSIC SCAN switch | ②⑨ Cassette operation buttons |
| ⑪ Handle lock button (Right) | ◀ CUE button |
| ⑫ Speaker release button (Right) | ▶ REVIEW button |
| ⑬ Cassette deck RELEASE button | ■ STOP button |
| ⑭ Left speaker | ◀ PLAY button |
| ⑮ Dial indicator | ● Record button |
| ⑯ POWER switch | ③⑩ Cassette holder |
| ⑰ Indicators (POWER/TUNING/FM Stereo) | ③① VOLUME control for headphone stereo |
| ⑱ PHONES jack (3.5 mm dia.) | ③② PHONES jack (3.5 mm dia.) for headphone stereo |
| ⑲ Tuning knob | ③③ Battery compartment cover |



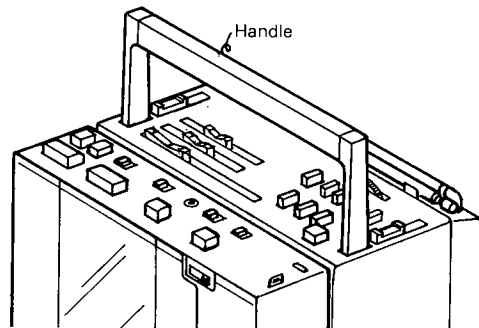
- 34 Battery compartment cover (Right)
- 35 Speaker jack (Right)
- 36 DC IN jack (DC 12 V)
- 37 Voltage selector
- 38 AC IN jacks
- 39 Speaker jack (left)
- 40 AUX IN jacks
- 41 Battery compartment cover (Left)

Attaching and Detaching the Handle

Attaching the handle



Set the handle lock buttons to the antenna side, fix the handle, and set the handle lock buttons to the deck side (▼ HANDLE LOCK mark).



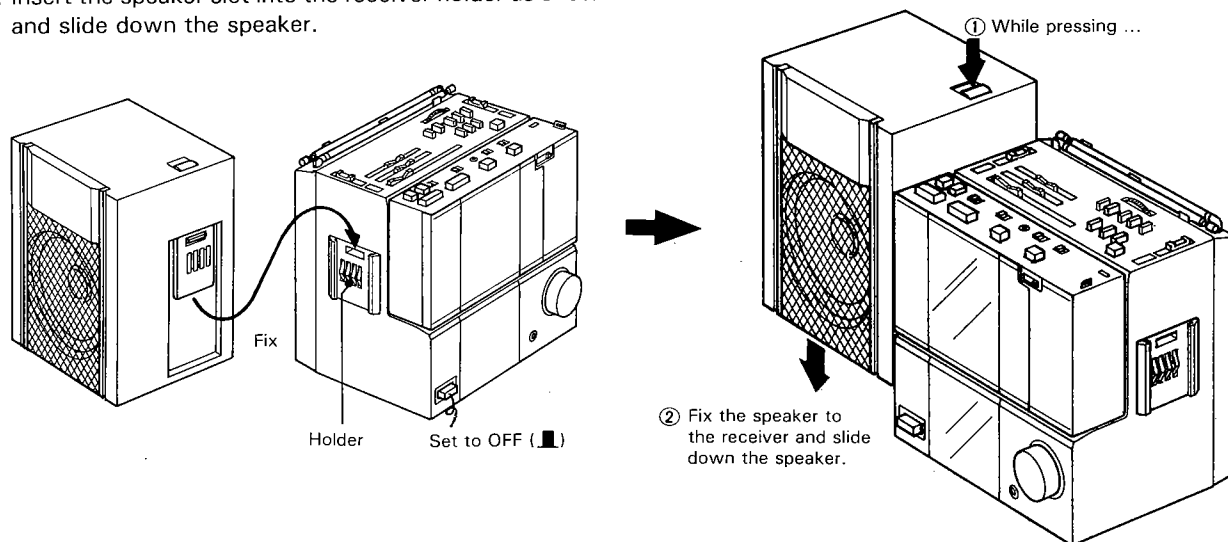
Note: Make sure that the handle is firmly locked when carrying the unit.

Attaching and Detaching the Speakers

When using the speakers attached to the receiver

With direct connection, no connection cords are required.

1. Insert the speaker slot into the receiver holder as shown and slide down the speaker.



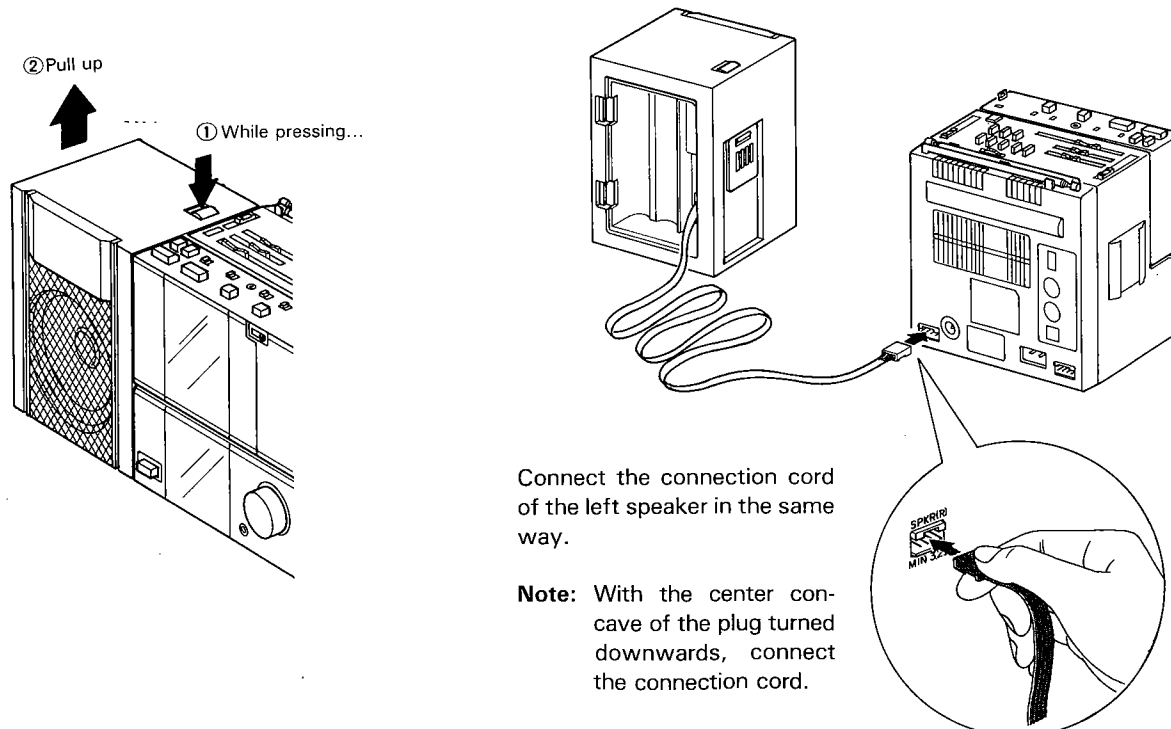
Attach the right speaker in the same way.

Note: Make sure that the POWER switch is set to OFF (■) when attaching or detaching the speakers.

When using the speakers detached from the receiver

A better stereo effect can be obtained when the built-in connection cords with plugs are used.

1. Lift the speaker while pressing the speaker release button on top of the speaker as shown.
2. Take out the connection cord with a plug from the rear of the speaker and connect to the receiver as shown.



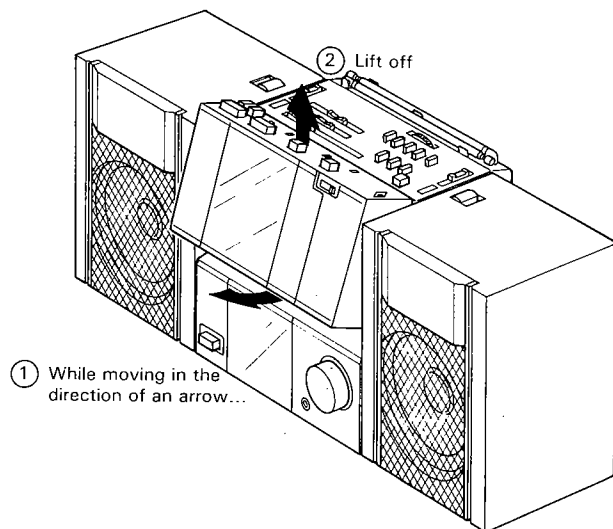
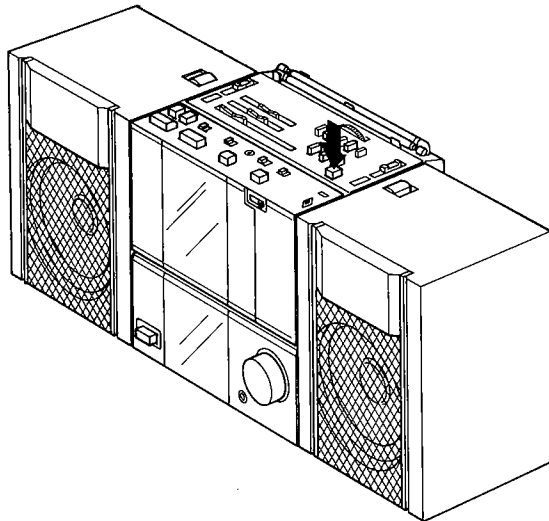
Connect the connection cord of the left speaker in the same way.

Note: With the center concave of the plug turned downwards, connect the connection cord.

Attaching and Detaching the Deck Section

Detaching the deck section from the main unit

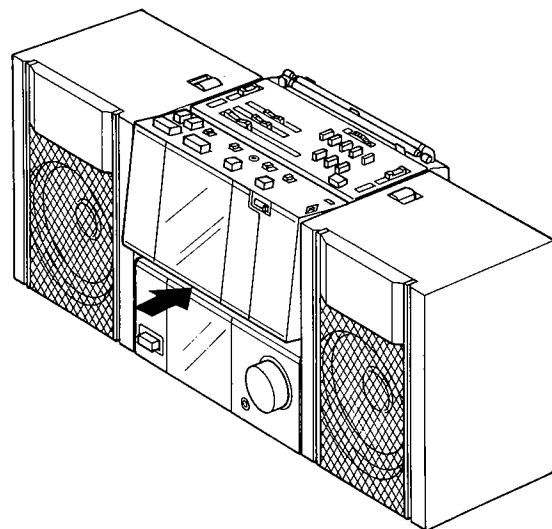
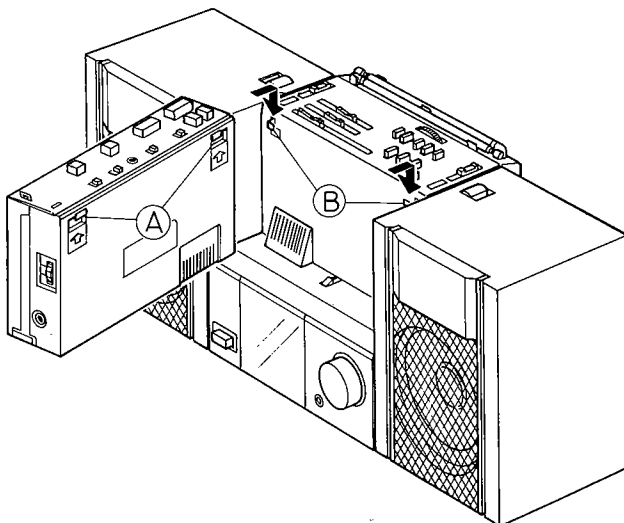
1. Press the RELEASE button. The lock is released and the lower part of the cassette recorder comes out slightly.
2. Detach it as shown.



Note: Make sure that the POWER switch is set to OFF (■) when attaching or detaching the deck section.

Attaching the deck section to the main unit

1. Align concaves (A) of the deck section and convexes (B) of the receiver section.
2. Press the lower part of the deck section in the direction of the arrow until it locks. (A click sound will be heard when it locks completely.)



Note: Confirm that the deck section is securely attached to the main unit.

Main Parts Location

Receiver Section

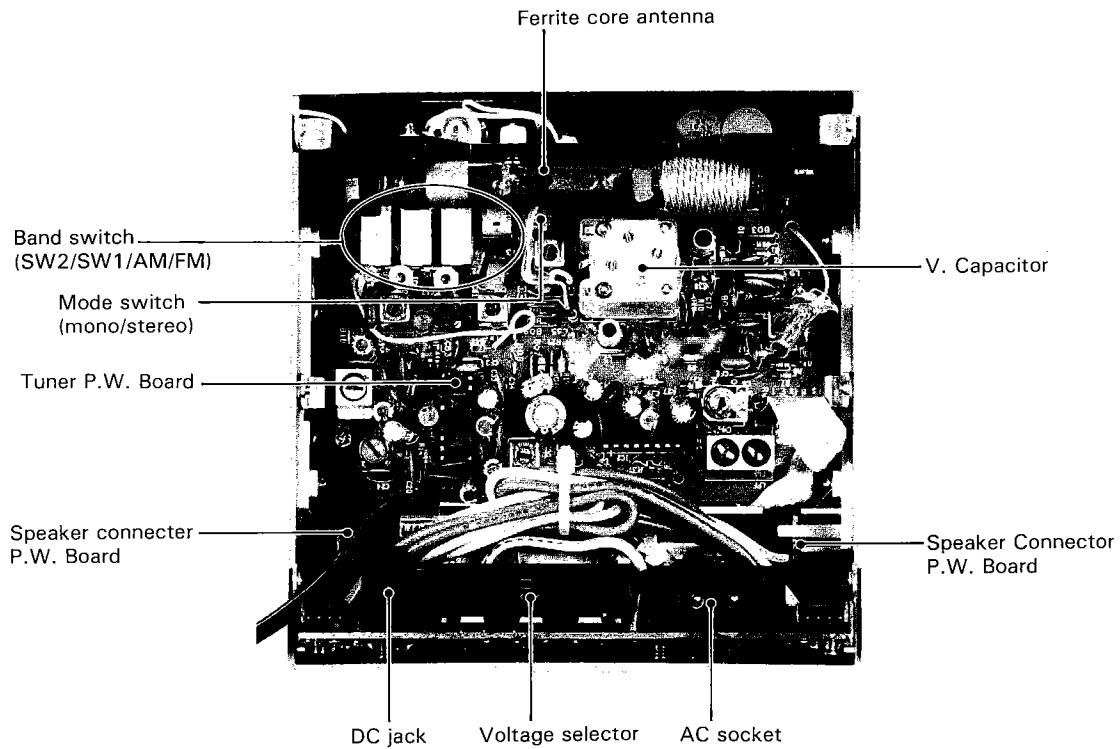


Fig. 1

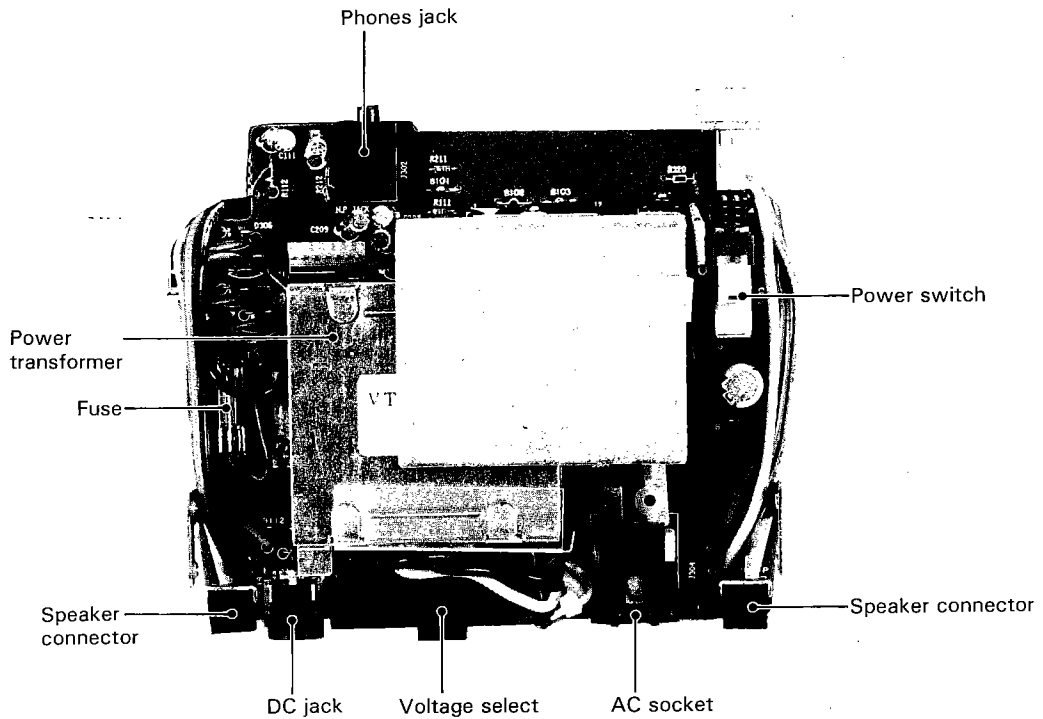


Fig. 2

Deck Section

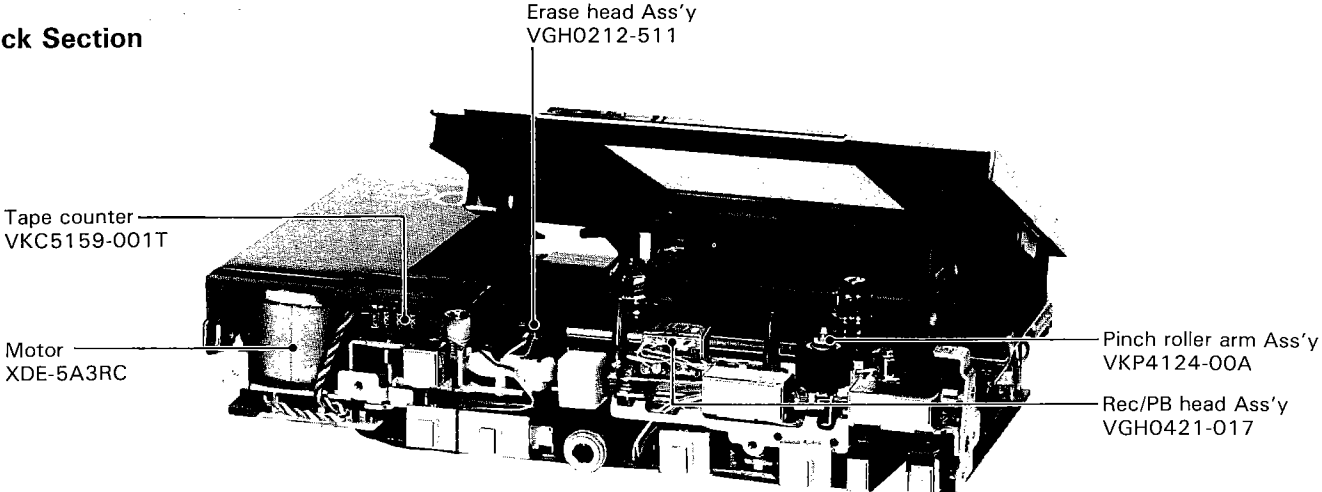


Fig. 3

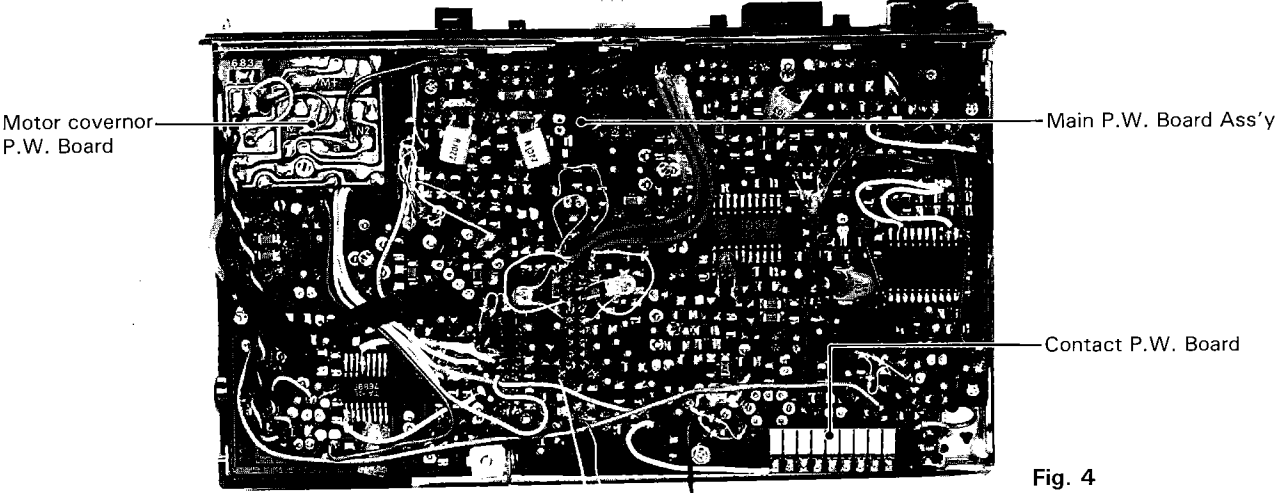


Fig. 4

Speaker Section

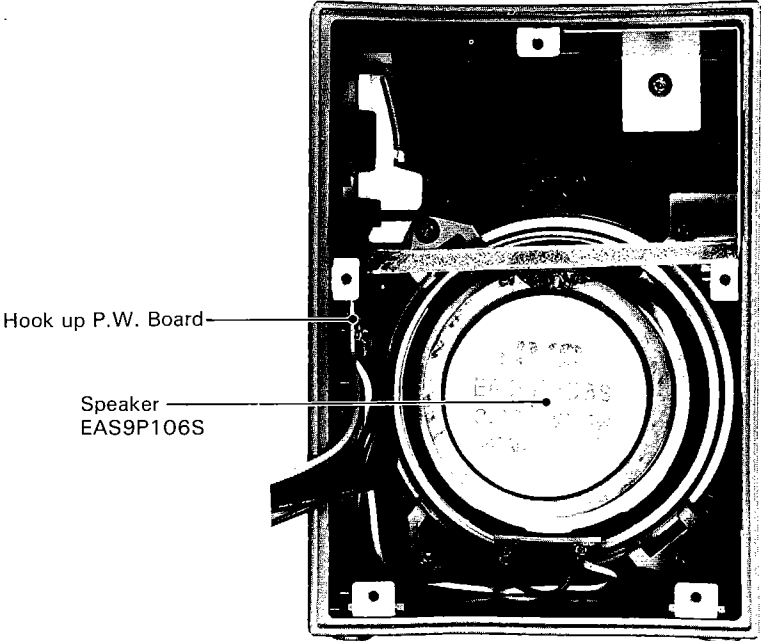


Fig. 5

Disassembling the Receiver Section

A. Removal of rear cabinet ass'y (Fig. 6)

1. Remove 4 screws ① SDSP3004R from the right and left sides of the front cabinet.
2. Remove the telescopic antenna and the connector wires of the AUX board to remove the rear cabinet ass'y.

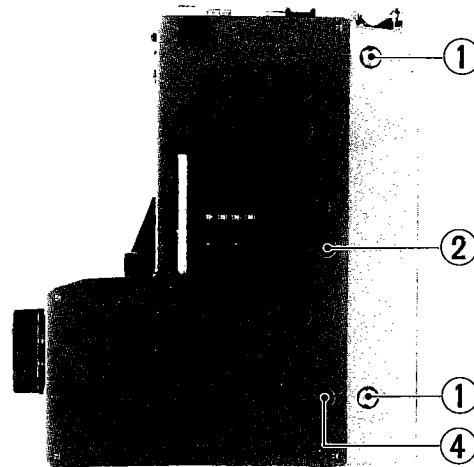


Fig. 6

B. Removal of tuner board + preamplifier P.W. Board (Fig. 6, 7 and 8)

1. Remove the rear cabinet ass'y.
2. Remove 2 screws ② SSSP30006M from the right and left sides of the front cabinet.
3. Remove screw ③ SPSK2008N from the top plate and pull the tuner board + preamplifier board out of the cabinet.

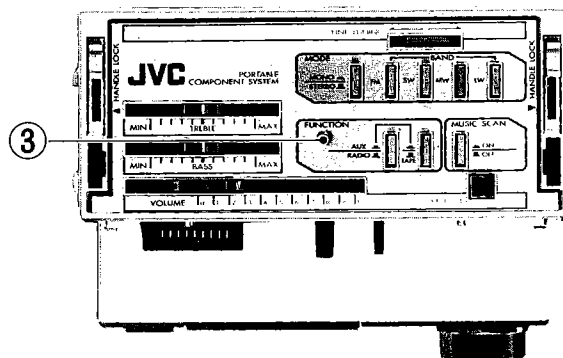


Fig. 7

C. Removal of power amplifier P.W. Board ass'y (Figs 6 and 8)

1. Remove the rear cabinet ass'y.
2. Remove 2 screws ④ SSSP3006M from the right and left sides of the front cabinet.
3. Cut the clamp of the speaker connector wires and take the power amplifier board ass'y out of the cabinet.

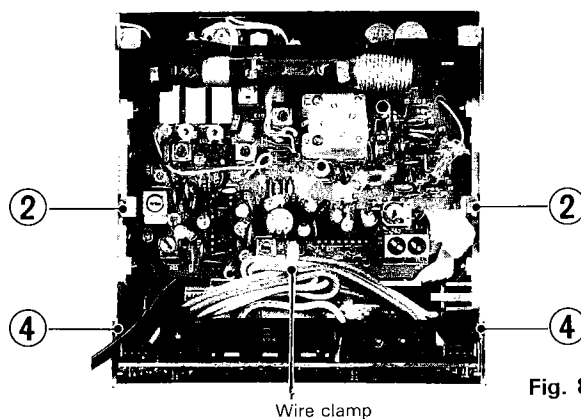


Fig. 8

D. Replacement of power IC (Fig. 9)

1. Take out the power amplifier board and unsolder the IC.
2. Remove screw ⑤ SBSB2606Z at the side of transistor Q306 and take out the power IC together with the radiation unit.
3. Remove screw ⑤ SBSB2606Z at the IC side to remove the power IC:

Note: When remounting it, apply silicone grease G-746 to the IC and the radiation unit.

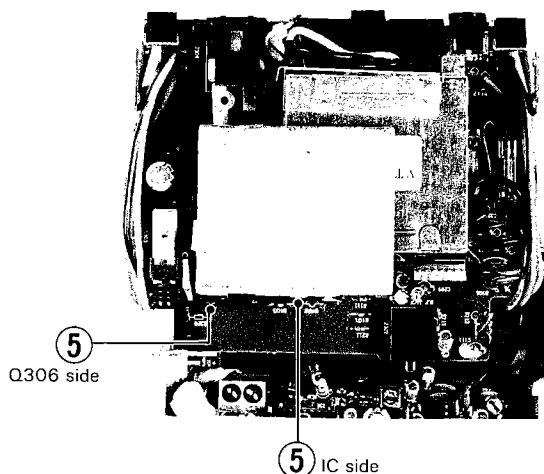

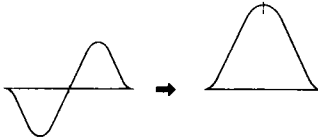


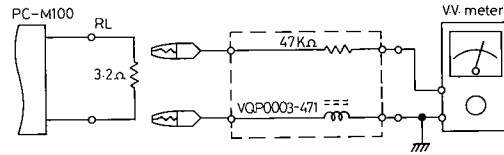
Fig. 9

Tuner Alignment

BASIC CONDITIONS

POWER SOURCE OF THE RECEIVER	DC 12 V, AC240/220/120 V, 50/60 Hz: JW AC120 V, 50/60 Hz: C AC230/127 V/110 V, 50/60 Hz: W
LOAD RESISTANCE OF THE RECEIVER	50 mW (0.4 V)/3.2 Ω
MODULATION OF SSG	400 Hz. 30%
Item	Description
1. AM IF ALIGNMENT 1-1 Conditions of the receiver. (1) Power source: (2) Function switch position: (3) Band select switch: (4) Volume control: (5) Tone control: (6) Variable capacitor: 1-2 Connection of Sweeper and the receiver (1) Tuner input: (2) Tuner output: 1-3 Aligning position: 1-4 Alignment (Waveform):	
	DC 4.5 V (When the power is supplied directly to the tuner in the receiver, the voltage should be adjusted to the proper level which shall be required by the tuner.) RADIO AM Minimum gain position Center (Bass, Treble) position Near the minimum capacity position where no signal come in. Positive side to TP4 Positive side to TP2 Negative side to TP3 } T3, T4 Adjust AM I.F.T. (above mentioned aligning position) so that maximum and symmetrical wave form can be obtained. In this case, the wavehead should be appeared at the center marker (450 kHz) on the scope of Sweeper.
	
2. FM IF ALIGNMENT 2-1 Conditions of the receiver (1) Power source: (2) Function switch position: (3) Band select switch: (4) Volume control: (5) Tone control: (6) Variable capacitor: 2-2 Connection of Sweeper and the receiver (1) Tuner input: (2) Tuner output: NOTE a) Attach a capacitor (30 pF) and resistor (560 kΩ) in series to the positive side cable which shall be led from Sweeper input. b) Attach a capacitor (30 pF) and a resistor (100 kΩ) in series to the positive side cable which shall be led from Sweeper output. 2-3 Aligning position: 2-4 Alignment (Waveform):	
	Same as mentioned in item 1-1 RADIO FM Minimum gain position Center (Bass, Treble) position Near the minimum capacity position where no signal come in. Positive side to TP1 Positive side to TP2 Negative side to TP3 a) IF Waveform: T1 b) Discriminate Waveform: T2 ("S" curve waveform) Adjust the discriminate coil (T2) so that "S" curve waveform may be changed to IF waveform as shown in following figure.
	
	After above, adjust T1 so that max. sensitivity and symmetrical IF waveform can be obtained on the scope of Sweeper. Adjust the discriminate T2 again so that above symmetrical IF waveform may be changed to balanced "S" curve waveform.
	b) Discriminate Waveform:

Item	Description
3. AM RF ALIGNMENT 3-1 Conditions of the receiver. (1) Power source: (2) Function switch position: (3) Volume control: (4) Tone control: (5) Variable capacitor: 3-2 Conditions of SSG. (1) Modulation: (2) Frequency: (3) Output level of the attenuator in SSG: 3-3 Power output measuring position: 3-4 Alignment:	Same as mentioned in item 1-1. RADIO 50 mW Center (Bass, Treble) position Refer the following list shown in item 3-4. Refer the basic condition Refer the following list shown in item 3-4. Approx. 50 mW Speaker terminals



	Band Select Switch Position	Sort of Antenna to be attached to SSG	Frequency of SSG	Variable Capacitor Position	Aligning Position
1	AM	Loop Antenna	520 kHz	Max. capacity	L6
2			1,650 kHz	Min. capacity	TC-6
3			Adjust the above aligning position (L6 & TC-6) repeatedly so that the tuner can be received above frequency range (band width).		
4			620 kHz	to be received 620 kHz	L2
5			1,400 kHz	to be received 1,400 kHz	TC-2
6			Adjust the above aligning position (L2 & TC-2) repeatedly so that the tuner can be obtained the best sensitivity.		
7	SW1	Loop Antenna	2.2 MHz	Max. capacity	L7
8			7.3 MHz	Min. capacity	TC-7
9			Adjust the above aligning position (L7 & TC-7) repeatedly so that the tuner can be received above frequency range (band width).		
10			2.3 MHz	to be received 2.3 kHz	L3
11			7.0 MHz	to be received 7.0 MHz	TC-3
12			Adjust the above aligning position (L3 & TC-3) repeatedly so that the tuner can be obtained the best sensitivity.		
13	SW2	Dummy Antenna	6.8 MHz	Max. capacity	L8
14			23.0 MHz	Min. capacity	TC-8
15			Adjust the above aligning position (L8 & TC-8) repeatedly so that the tuner can be received above frequency range (band width).		
16			7.0 MHz	to be received 7.0 MHz	L4
17			22.0 MHz	to be received 22.0 MHz	TC-4
18			Adjust the above aligning position (L4 & TC-4) repeatedly so that the tuner can be obtained the best sensitivity.		

Item		Description		
4. FM RF ALIGNMENT 4-1 Conditions of the receiver. (1) Power source: (2) Function switch position: (3) Band select switch: (4) Volume control: (5) Tone control: (6) Variable capacitor: 4-2 Condition of FM SSG. (1) Modulation: (2) Frequency: (3) Output level of the attenuator in FM SSG: 4-3 Alignment:		Same as mentioned in item 1-1. RADIO FM 50 mW Center (Bass, Treble) position Refer the following list shown in item 4-3. Refer the basic condition Refer the following list shown in item 4-3. The level shall be decided by the load resistance of the receiver mentioned in the basic conditions.		
Band Select Switch Position	Sort of Antenna to be attached to SSG	Frequency of FM SSG	Variable Capacitor Position	Aligning Position
FM	Dummy Antenna	87.5 MHz	Max. capacity	L5
		109.0 MHz	Min. capacity	TC-5
		Adjust the above aligning position (L5 & TC-5) repeatedly so that the tuner can be received above frequency range (band width).		
		90 MHz	to be received 90 MHz	L1
		106 MHz	to be received 106 MHz	TC-1
		Adjust the above aligning position (L1 & TC-1) repeatedly so that the tuner can be obtained the best sensitivity.		

FM MPX Alignment

A. 19 kHz Alignment (Regular Method)

1. Connect a frequency counter to the test point TP7 (earth = TP3).
2. Supply the monaural signal (84 MHz, 60 dB) across the antenna terminal.
3. Adjust the variable resistor VR1 so that the frequency becomes 19 kHz ± 100 Hz.

B. 19 kHz Alignment (Simplified Method)

1. Tune to an FM stereo broadcast.
2. Set the variable resistor VR1 to the minimum position of the range in where the Lch and Rch selecting.

Parts Arrangement for Alignment

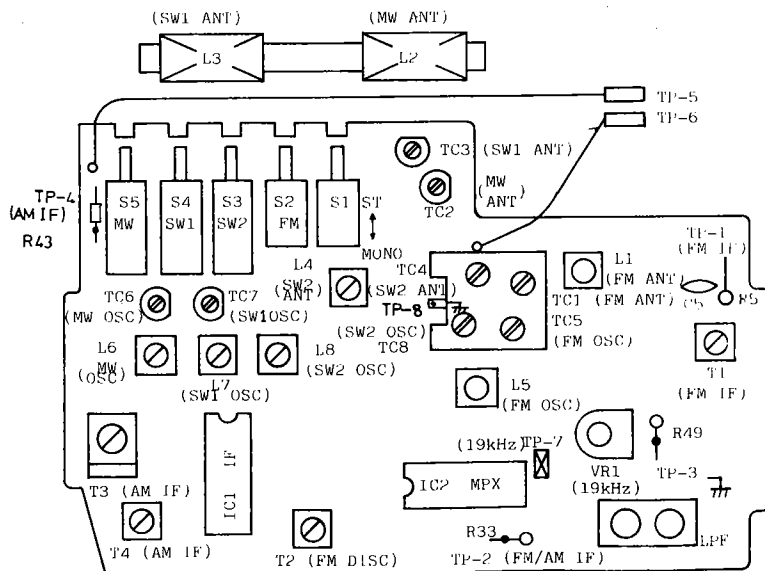
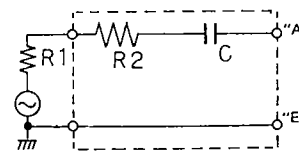


Fig. 10

Dummy Antenna



$R_1 + R_2 = 80 \Omega$ "A" → TP-5
 $C = 10 \text{ pF}$ "E" → TP-8
 R_1 : Output impedance of S.S.G.

Fig. 11

Block Diagram

Tuner Section

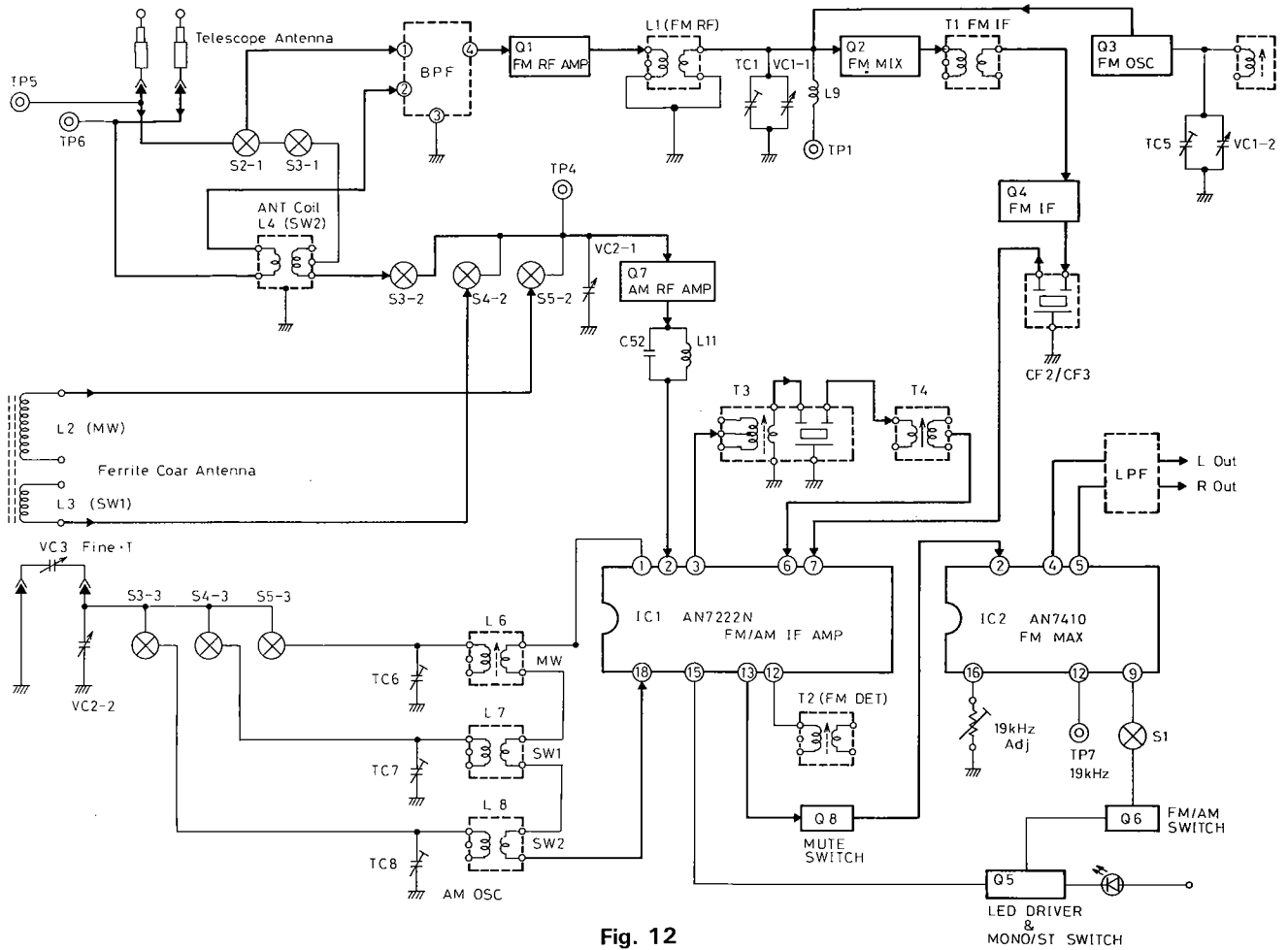


Fig. 12

Power Amp Section

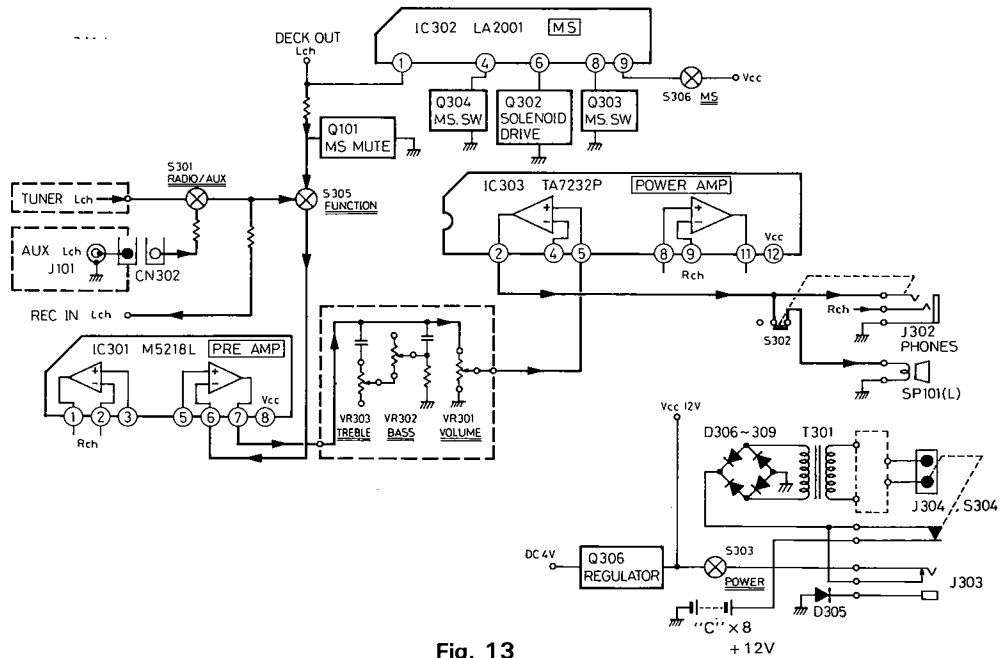


Fig. 13

Standard Schematic Diagram of PC-M100 (Tuner Circuit)

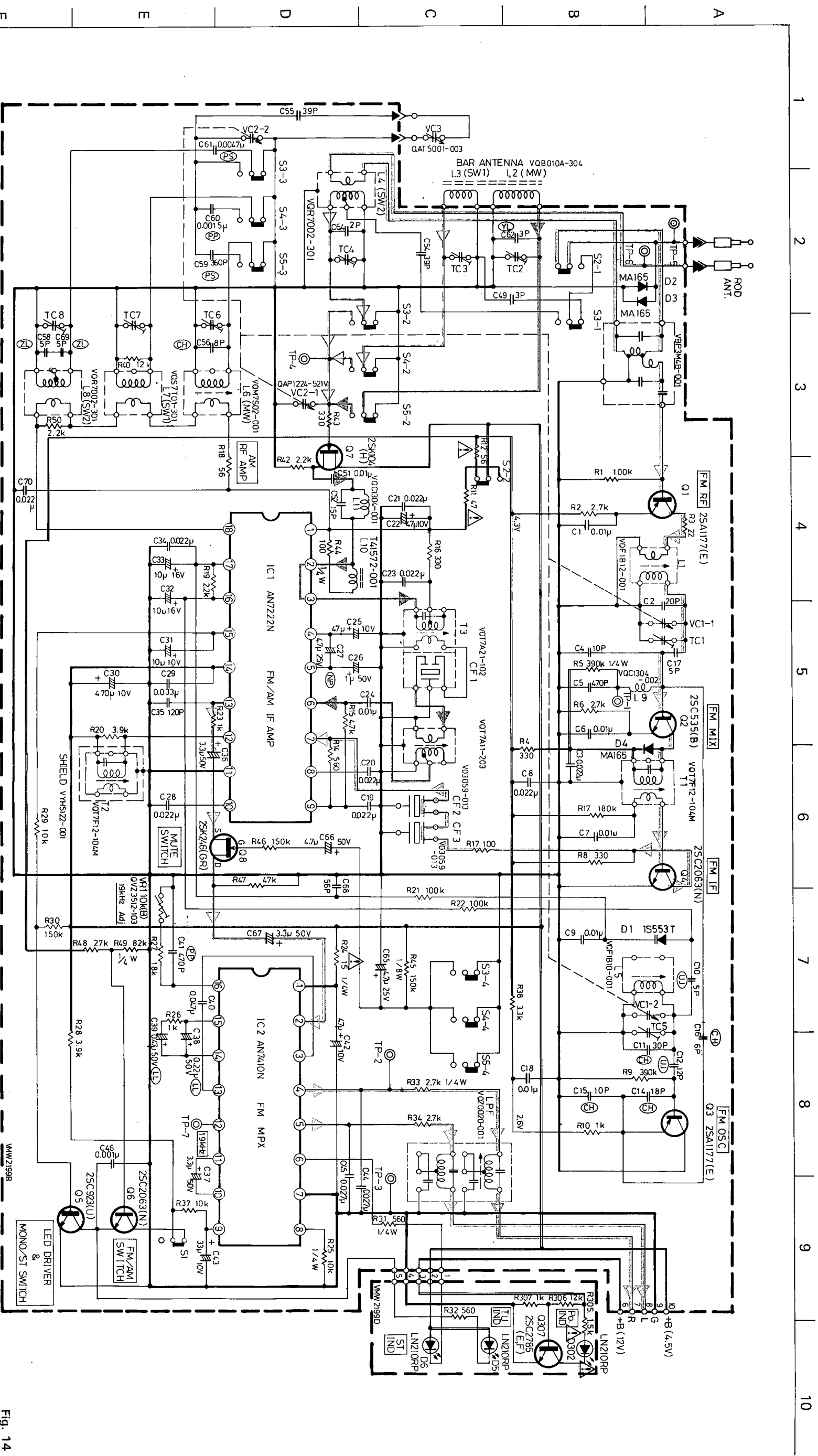


Fig. 14

NO.	1	2	3	4	5	6	7	8	9	10	11	12	13	14	15	16	17	18
IC1	0	0.1	0.3	0.3	4.0	4.0	4.0	4.0	3.8	0	4.5	1.3	4.5	0.1	1.4	1.4	0.1	
IC2	4.3	1.4	1.4	2.4	2.4	3.1	0	0.5	1.7	1.3	1.3	2.1	1.3	1.3	1.3	0.3		
E	1.6	1.3	2.15	0	0	3.3	1.5	0	S									
Tc	0	0.03	4.35	0	3.8	3.3	3.7	4.5	0	D								
B	0.6	1.9	1.5	0.6	0.35	3.2	0	0										

NOTE
 1 VOLTAGE VALUES ARE MEASURED WITH NO SIGNAL USING ELECTRONIC VOLT METER
 2 S2~5 (BAND SELECT SWITCH) IS FM POSITION
 S1 (MONAURAL-STEREO SWITCH) IS STEREO POSITION
 S1~S5 (OST3521-V01)
 3 LAST NO R50, 70
 4 BLANK NC R13, 35, 36, 39, 41
 C13, 47, 48, 50, 57, 63
 5 RATING OF RESISTORS IS 1/8W UNLESS OTHERWISE SPECIFIED.

BOTTOM VIEW OF THE SWITCHES
 (⊙) IS SHOWING SWITCH

Comparison table

PC-M100W/WH	PC-M100C/JW
0.015 μF	0.027 μF
0.015 μF	0.027 μF

Blue line shows the signal at FM.
 Red line shows the signal at AM.
 Red line shows the signal at SW.
 +B circuits.
 Parts are safety assurance parts.
 When replacing those parts, make sure to use the specified one.

Standard Schematic Diagram of PC-M100 (Amp Circuit)

1 2 3 4 5 6 7 8 9 10

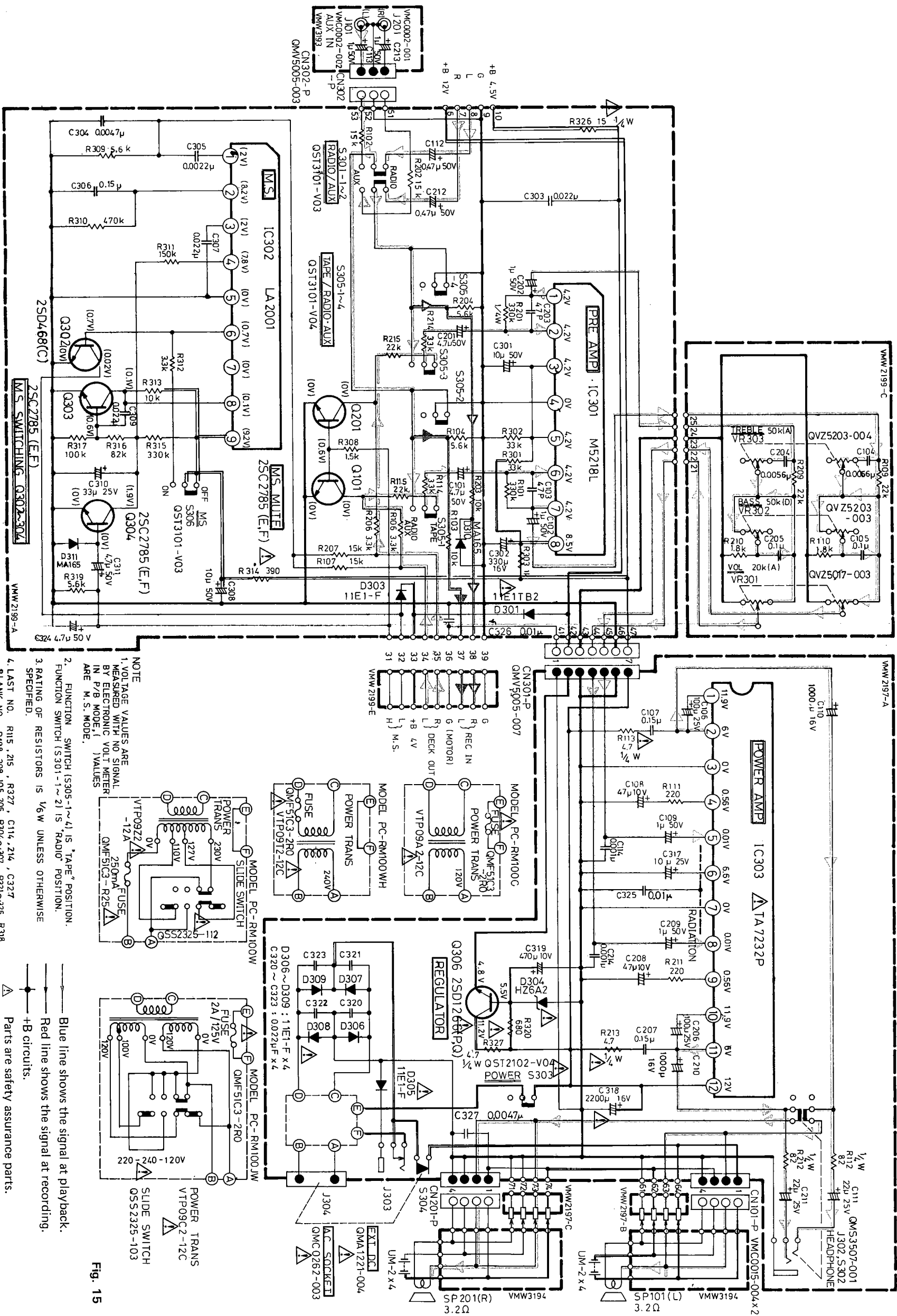


Fig. 15

Blue line shows the signal at playback.
 Red line shows the signal at recording.
 — +B circuits.
 Δ Parts are safety assurance parts.
 When replacing those parts, make sure to use the specified one.

Wiring Connections

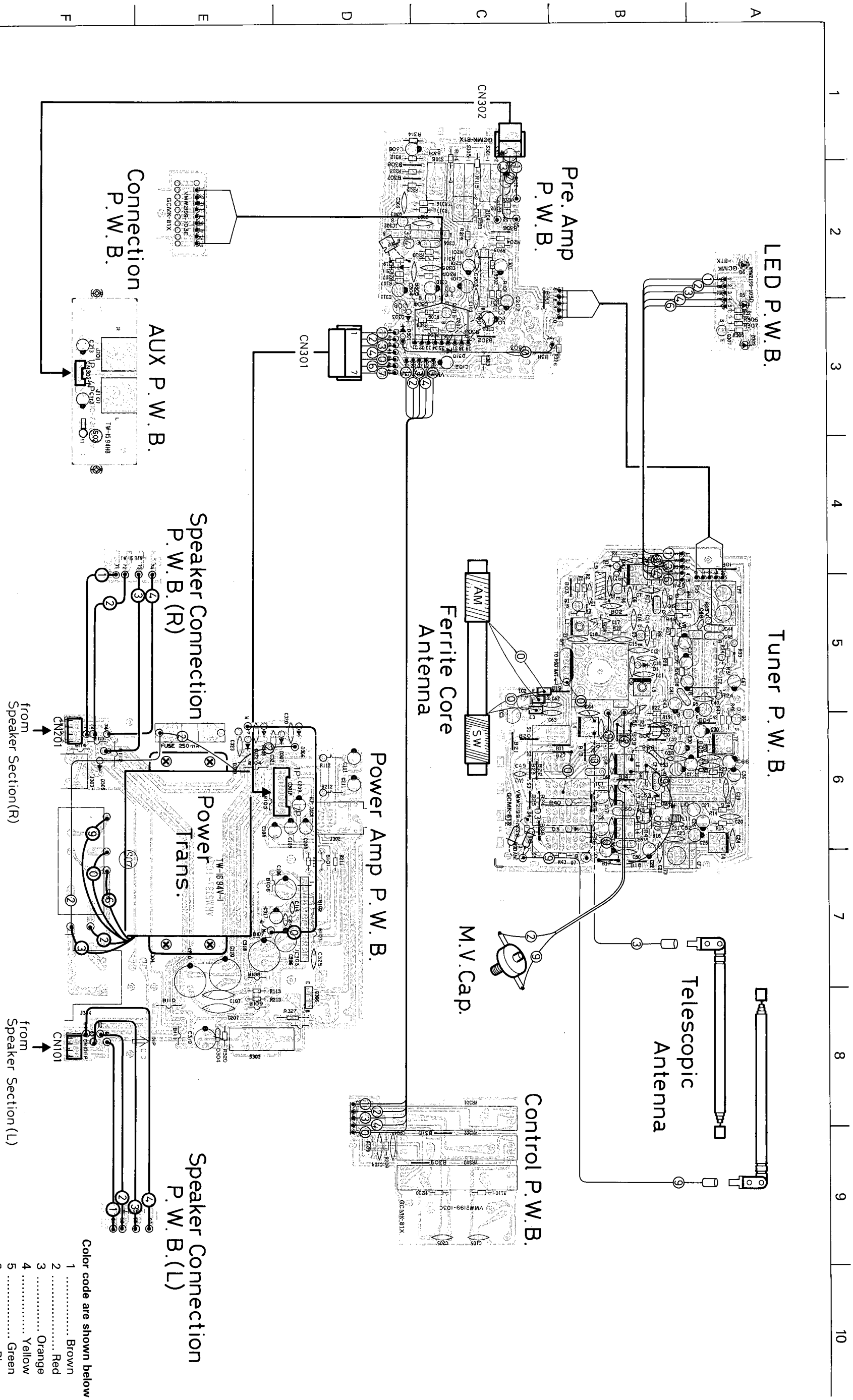


Fig. 16

- Color code are shown below
- 1 Brown
 - 2 Red
 - 3 Orange
 - 4 Yellow
 - 5 Green
 - 6 Blue
 - 7 Violet
 - 8 Grey
 - 9 White
 - 0 Black

How to Engage Dial Cord

1. Turn the dial drum fully clockwise (to the highest frequency).
2. Use Kevlar cord (560 mm long and 0.4 mm in diameter).
3. Install the string in the sequence of the numbers.

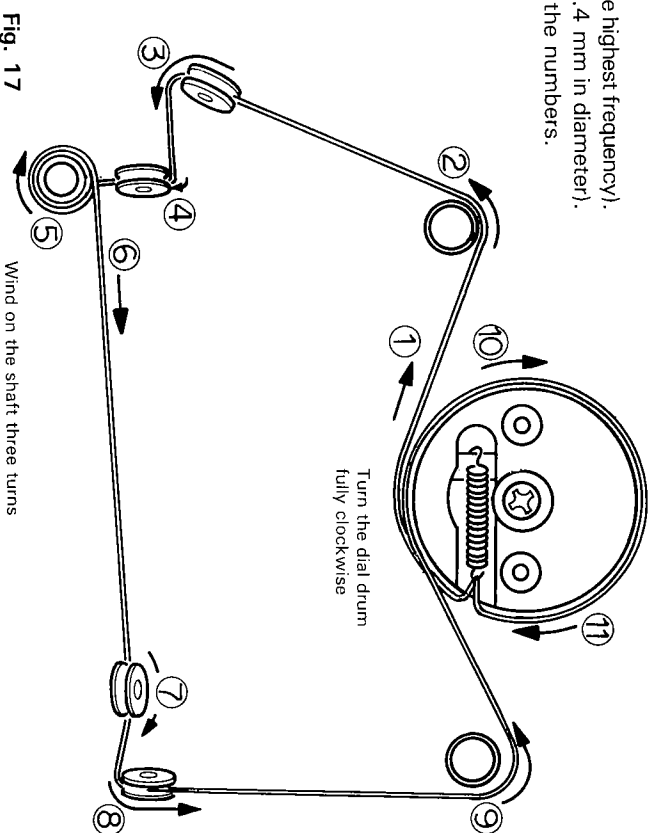


Fig. 17

P.W. Board Parts and Parts List

(Tuner P.W. Board)
Tuner P.W. Board

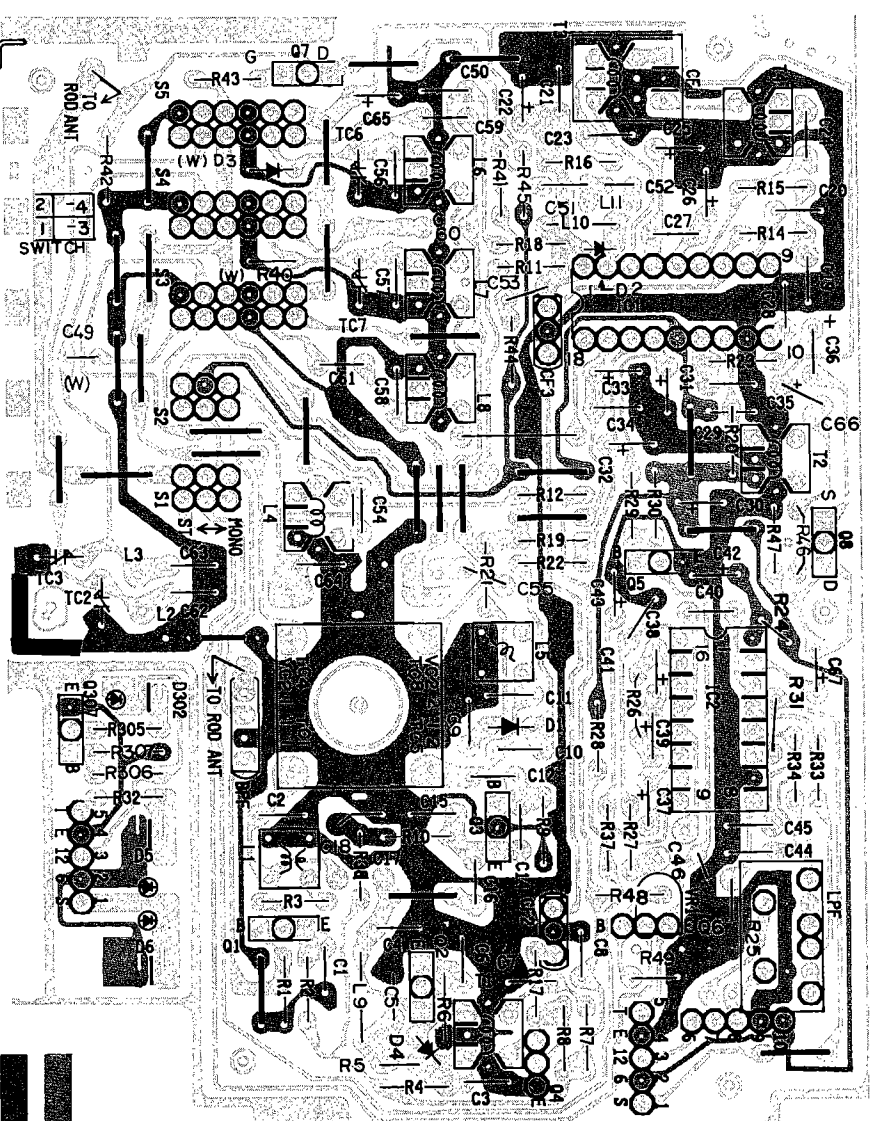
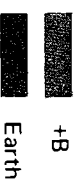


Fig. 18



Tuner P.W. Board Parts List

Ref. No.	Parts No.	Parts Name	Remarks	Q'ty
[Tuner P.W. Board]				
IC1	AN722N	IC		1
IC2	AN7410N	"		1
IC3	2SA1177(E)	Transistor		1
01	2SA1177(E)	"		1
02	2SC535(B)	"		1
03	2SA1177(E)	"		1
04	2SC2063(N)	"		1
05	2SC923(U)	"		1
06	2SC2063(N)	"		1
07	2SK104(H)	T.E. Transistor		1
08	2SK246(GR)	"		1
D1	1S553T	Var Cap		1
D2 ~ D4	MA165	Si Diode		3
T1, T2	VOT7F12-104M	I.F.T.		2
T3, CF1	VOT7A21-102	"		2
T4	VOT7A11-203	"		1
CF2, CF3	VO3059-013	C. Filter		2
BPF	VBP3M4B-001	B.P. Filter		1
LPF	VO20020-001	L.P. Filter		1
L1	VDF1812-001	RF Coil	(FM)	1
L4	VOR7002-301	"	(SW2)	1
L5	VDF1810-001	OSC Coil	(FM)	1
L6	VQM7S02-301	"	(AM)	1
L7	VOS7T01-301	"	(SW1)	1
L8	VOR7002-301	"	(SW2)	1
L9	VOC1304-002	Coil	(FM)	1
L10	T41572-001	Inductor		1
L11	VOC1304-001	Coil		1
ST ~ S5	VST3521-001	Push Switch		5
	VKL3143-001	Board in Tab		4
	VMZ0015-002	Post Pin		2
TC2 ~ TC7	QAT3001-053	T. Capacitor		6
VR1	QVZ3512-103	V. Resistor		1
VC3	QAT5001-003	M.V. Capacitor		1
R11	Δ DRD161J-470	C. Resistor	47 Ω	1
R24	Δ DRD141J-150S	"	15 Ω	1
R	QRD161J-xxx	"	390 kΩ	1/6 W
R5	QRD141J-394S	"	10 kΩ	1/4 W
R25	"	"	150 kΩ	"
R30	"	"	560 kΩ	"
R31	"	"	2.7 kΩ	"
R33	"	"	12 kΩ	"
R40	"	"	100 Ω	"
R44	"	"	82 kΩ	"
R49	"	"	0.01 μF	50 V
C1	OCF11HP-103	C. Capacitor	0.01 μF	1
C2	QCS11HU-200	"	20 pF	1
C3	OCF11HP-223	"	0.022 μF	1
C4	QCS11HU-100	"	10 pF	1
C5	QCS11HU-471	"	470 pF	1
C6, 7	OCF11HP-103	"	0.01 μF	2
C8	QCC11EM-223	"	0.022 μF	25 V
C9	QCC11EM-103	"	0.01 μF	1
C10	QCT05JU-5R0	"	5 pF	1
C11	QCT05CH-270	"	27 pF	1
C12	QCT05JU-120	"	12 pF	1
C13	QCT05CH-3R0	"	3 pF	1
C14	"	"	18 pF	1
C15	"	"	10 pF	1
C16	"	"	6 pF	1
C17	QCS11HU-5R0	"	5 pF	50 V
C18	OCF11HP-103	"	0.01 μF	1
C19, 20	"	"	0.022 μF	2
C22	DET41AR-476	E. Capacitor	47 μF	10 V
C23	QCC11EM-223	C. Capacitor	0.022 μF	25 V
C24	OCF11HP-103	"	0.01 μF	50 V

Δ parts are safety assurance parts.
When replacing those parts, make sure to use the specified one.

Ref. No.	Parts No.	Parts Name	Remarks	Q'ty
C25	DET41AR-476	E. Capacitor	47 μF	10 V
C26	DET41HR-105	"	1 μF	50 V
C27	QEM41EM-475	N.P. Capacitor	4.7 μF	25 V
C28	QCC11EM-333	C. Capacitor	0.033 μF	25 V
C29	OCF11HP-223	"	0.022 μF	50 V
C30	DET41AR-477	E. Capacitor	47 μF	10 V
C31 ~ 33	DET41CR-106	"	10 μF	16 V
C34	OCF11HP-223	C. Capacitor	0.022 μF	50 V
C35	QCS11HU-121	"	120 pF	"
C36, 37	DET41HR-335	E. Capacitor	3.3 μF	"
C38	QEB41HM-224	L.L.E. Capacitor	0.22 μF	"
C39	"	"	0.47 μF	"
C40	QCC11EM-473	C. Capacitor	0.047 μF	25 V
C41	QFP42AJ-471	P.P. Capacitor	470 pF	10 V
C42	DET41AR-476	E. Capacitor	47 μF	"
C43	"	"	33 μF	"
C44, 45	QFN41HK-273	M. Capacitor	0.027 μF	50 V
C46	QCY41HK-102	C. Capacitor	0.001 μF	"
C49	QCS11HU-3R0	"	3 pF	"
C51	OCF11HP-103	"	0.01 μF	"
C52	QCS11HU-150	"	15 pF	"
C54, 55	QCS11HU-390	"	39 pF	"
C56	QCT05CH-8R0	"	8 pF	16 V
C58, 69	QCT05ZL-5R0	"	5 pF	"
C59	QES41HU-391	P. Capacitor	390 pF	50 V
C60	QFP42AJ-152	P.P. Capacitor	0.0015 μF	10 V
C61	QFS41HU-472	P. Capacitor	0.0047 μF	50 V
C62	QCT05YL-3R0	C. Capacitor	3 pF	"
C64	QCS11HU-2R0	"	2 pF	50 V
C65, 66	DET41HR-475	E. Capacitor	4.7 μF	50 V
C67	"	"	3.3 μF	"
C68	QCS11HU-560	E. Capacitor	36 pF	"
C70	OCF11HP-223	C. Capacitor	0.022 μF	"
[LED P.W. Board]				
D5	LN210RP	LED	Tuner Ind.	1
D6	"	"	STEREO Ind.	1
D302	Δ 2SC2785(E,F)	Transistor	"	1
D307	Δ DRD161J-152	C. Resistor	"	1
R305	"	"	"	1

Power Amplifier P.W. Board Parts

Speaker Connector P.W. Board (L) Power Amp P.W. Board Speaker Connector P.W. Board (R)

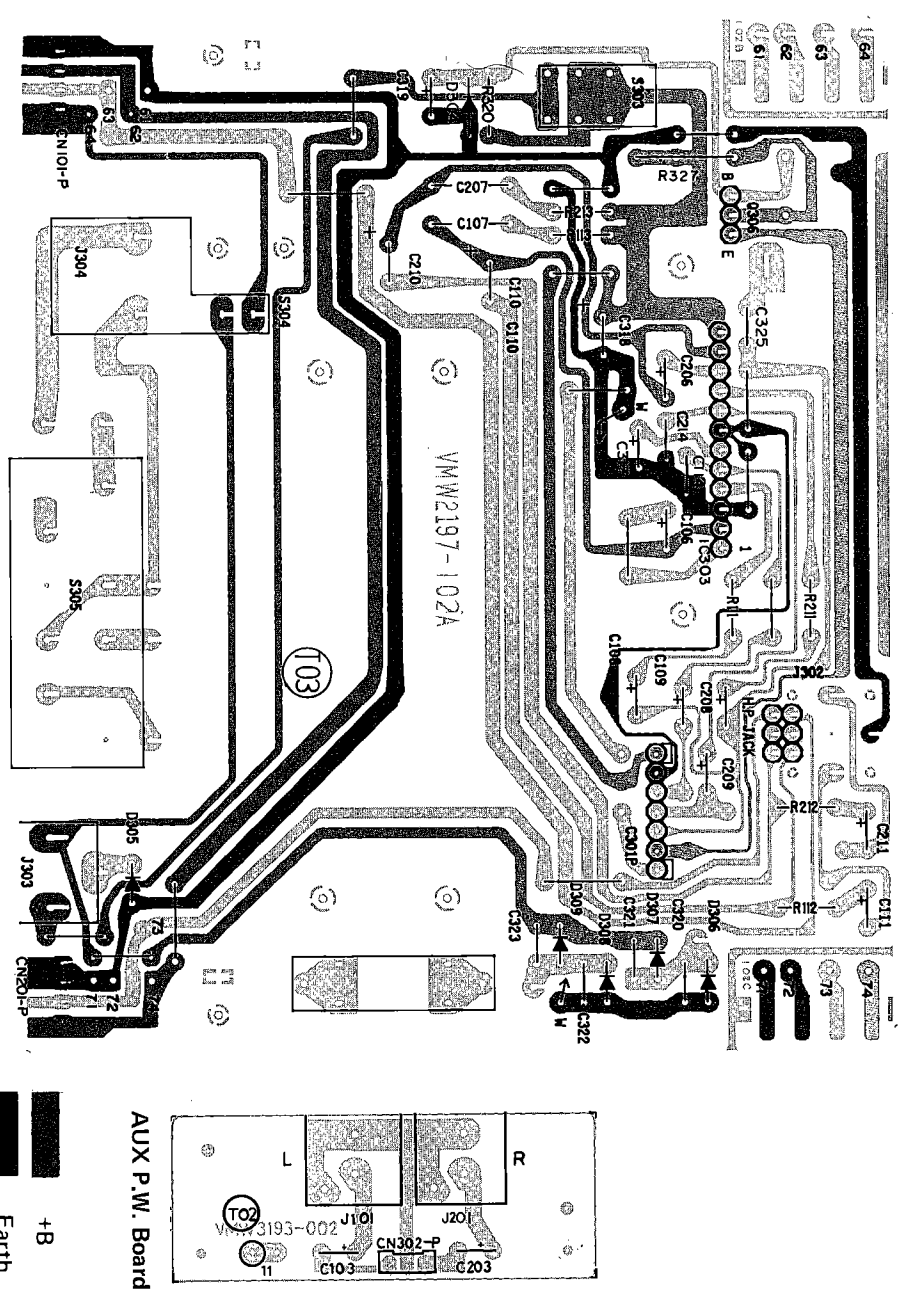


Fig. 19

Power Amplifier P.W. Board Parts List

Ref. No.	Parts No.	Parts Name	Remarks	Q'ty
[VMW2197-xxxxA] Power Amp.				
IC303	TA7232P	IC	for Power	1
Q306	VYH5320-001	Radiation Plate		1
D304	2SD1266(P, D)	Transistor		1
D305-309	HZ6A2	Zener Diode		1
	10E2	SI. Diode	or 11E1-F	5
J302, S302	QMS3507-001	Jack Assy	Headphone	1
J303	QMA1221-004	AC Socket Assy	EXT D.C.	1
J304, S304	QMC0262-003	Slide Switch	A.C. Selector	1
S305	QSS2325-103		PC-M100JW	1
				1
S303	OST2101-V04	Push Switch	PC-M100W	1
T301	VTF090C2-12D	Power Transformer	PC-M100JW	1
	VTF0922-12A		PC-M100W	1
	VTF09A2-12C		PC-M100C	1
	VTF0912-12C		PC-M100WH	1
M03	VYH5374-001	Spacer		1
	VYH5425-001	Fuse	T2A	1
	QMF51C3-2R0	Fuse Clip	PC-M100C/JW	1
			R25	1
	A44594-001	Fuse Clip	PC-M100C/JW	2
	VND4086-001	Caution Sheet		1

△ parts are safety assurance parts. When replacing those parts, make sure to use the specified one.

Ref. No.	Parts No.	Parts Name	Remarks	Q'ty
R111, 211	QRD161J-221	C. Resistor	220 Ω 1/6 W	2
R112, 212	QRD141J-820S	Fusible Resistor	82 Ω 1/4 W	2
R113, 213	QRH141J-4R7		4.7 Ω	3
R320	QRD141J-681S	C. Resistor	680 Ω	1
C106, 206	QEH41ER-107	E. Capacitor	100 μF 25 V	2
C107, 207	QCC11EM-154	C. Capacitor	0.15 μF 25 V	2
C108, 208	QET41AR-476	E. Capacitor	47 μF 10 V	2
C109, 209	QET41HR-105	E. Capacitor	10 μF 50 V	2
C110, 210	QET41CR-108		1000 μF 16 V	2
C111, 211	QET41ER-225		22 μF 25 V	2
C114, 214	QCC11HR-102	C. Capacitor	0.001 μF 50 V	2
C317	QET41ER-106	E. Capacitor	10 μF 25 V	1
C318	QET41CR-228S		2200 μF 16 V	1
C319	QET41AR-477		470 μF 10 V	1
C320-323	QCF11HP-223	C. Capacitor	0.022 μF 50 V	4
C325	QCC11EM-103		0.01 μF 25 V	1
C327	QCF11HP-472		47 μF 50 V	1
	VMZ0032-001		0.0047 μF 50 V	1
	QMV5005-007	S Lug		1
CN301-P	QMV5005-004	Connector		2
CN101,	QMV5005-004	Connector		2
201-P				
[VMW3193-002] AUX P.W. Board				
J201	VMC0002-001	Jack		1
J101	QMV5005-002	Connector		1
CN302-P	QMV5005-003	Connector		1
C113, 213	QET41HR-105	E. Capacitor		2

Preampifier P.W. Board Parts

Preamp P.W. Board

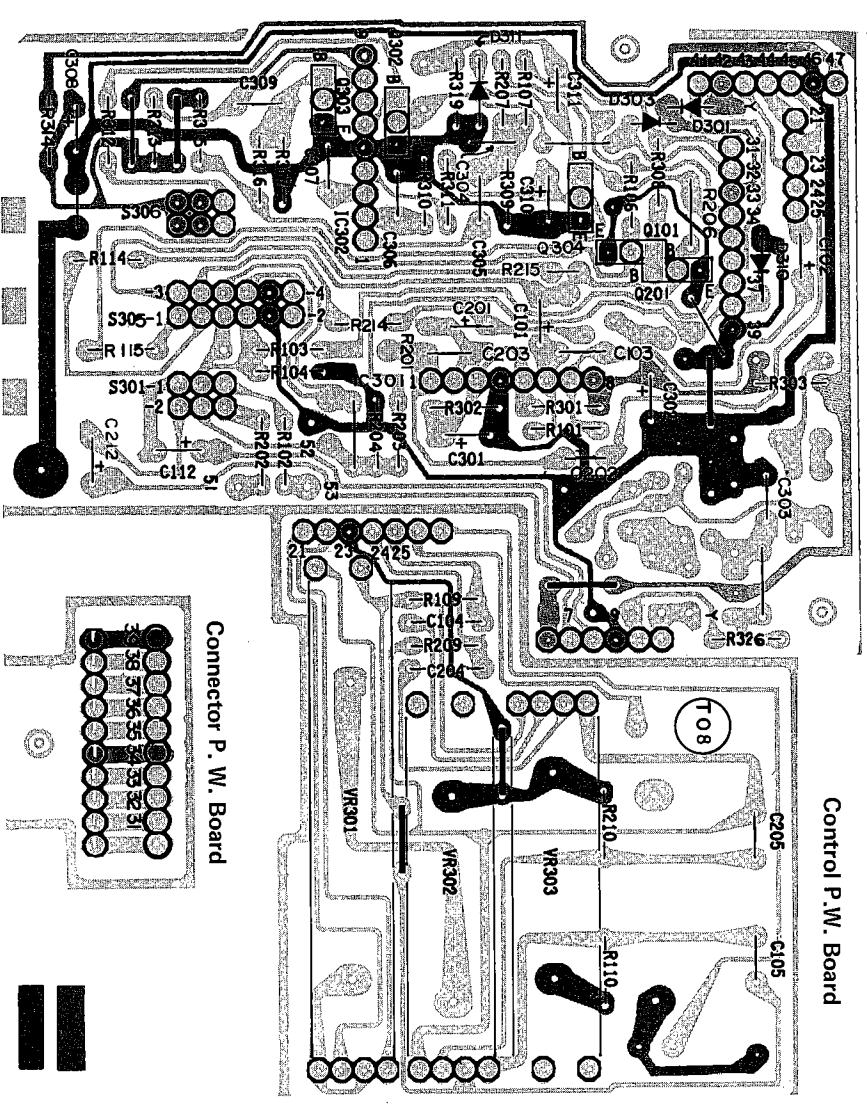


Fig. 20

Preampifier P.W. Board Parts List

Ref. No.	Parts No.	Parts Name	Remarks	Q'ty
[VMW2199-xxxxA] Preampifier				
IC301	M5218L	Integrated Circuit		1
IC302	LA200L			1
Q101, 201	2SC2785(E, F)	Transistor		2
Q302	2SD468(C)			1
Q303, 304	2SC2785(E, F)			2
D301, 303	10E2	Diode		2
D310	MA165			1
D311				1
S305-1~4	OST3101-V04	Push Switch	Function	4
S306-1~2			MS	2
S301-1~2			AUX	2
R	QRD161J-xxx	C. Resistor	1/6 W	29
R314	QRD161J-391		390 Ω	1
R201	QRD141J-334		330 kΩ 1/4 W	1
R215	QRD141J-223		22 kΩ	1
R326			15 Ω	1
C101, 201	QET41HR-475	E. Capacitor	4.7 μF 50 V	2
C102, 202	QCS11HU-470		47 μF	2
C103, 203	QET41HR-106	C. Capacitor	0.47 μF	2
C104, 204	QET41HR-106		10 μF	2
C301				1

△ parts are safety assurance parts. When replacing those parts, make sure to use the specified one.

Ref. No.	Parts No.	Parts Name	Remarks	Q'ty
C302	QET41CR-337		330 μF 16 V	1
C303	QCC11EM-223	C. Capacitor	0.022 μF 25 V	1
C304	OCY41HK-472		0.0047 μF 50 V	1
C305	QCF11HP-222		0.0022 μF	1
C306	QEV41HU-154	M. Capacitor	0.15 μF	1
C307	QCF11HP-223	C. Capacitor	0.022 μF	1
C308	QET41HR-106	E. Capacitor	10 μF	1
C309	QCF11HP-223	C. Capacitor	0.022 μF	1
C310	QET41ER-336	E. Capacitor	33 μF 25 V	1
C311, 324	QET41HR-475		4.7 μF 50 V	2
C326	QCC11EM-103	C. Capacitor	0.01 μF 25 V	1
	VM44113-001	Spacer		1
[VMW2199-xxxG] Control P.W. Board				
VR301	OVZ5017-003	V. Resistor	VOLUME 20K(Ω)	1
VR302	OVZ5203-003		BASS 50K(Ω)	1
VR303			TREBLE 50K(Ω)	1
R109, 209	QRD161J-223	C. Resistor	22 kΩ 1/6 W	2
R110, 210			1.8 kΩ	2
C104, 204	QCY41HK-562	C. Capacitor	0.0056 μF 50 V	2
C105, 205	QCC11EM-104		0.1 μF 25 V	2

Enclosure Assembly and Electrical Parts

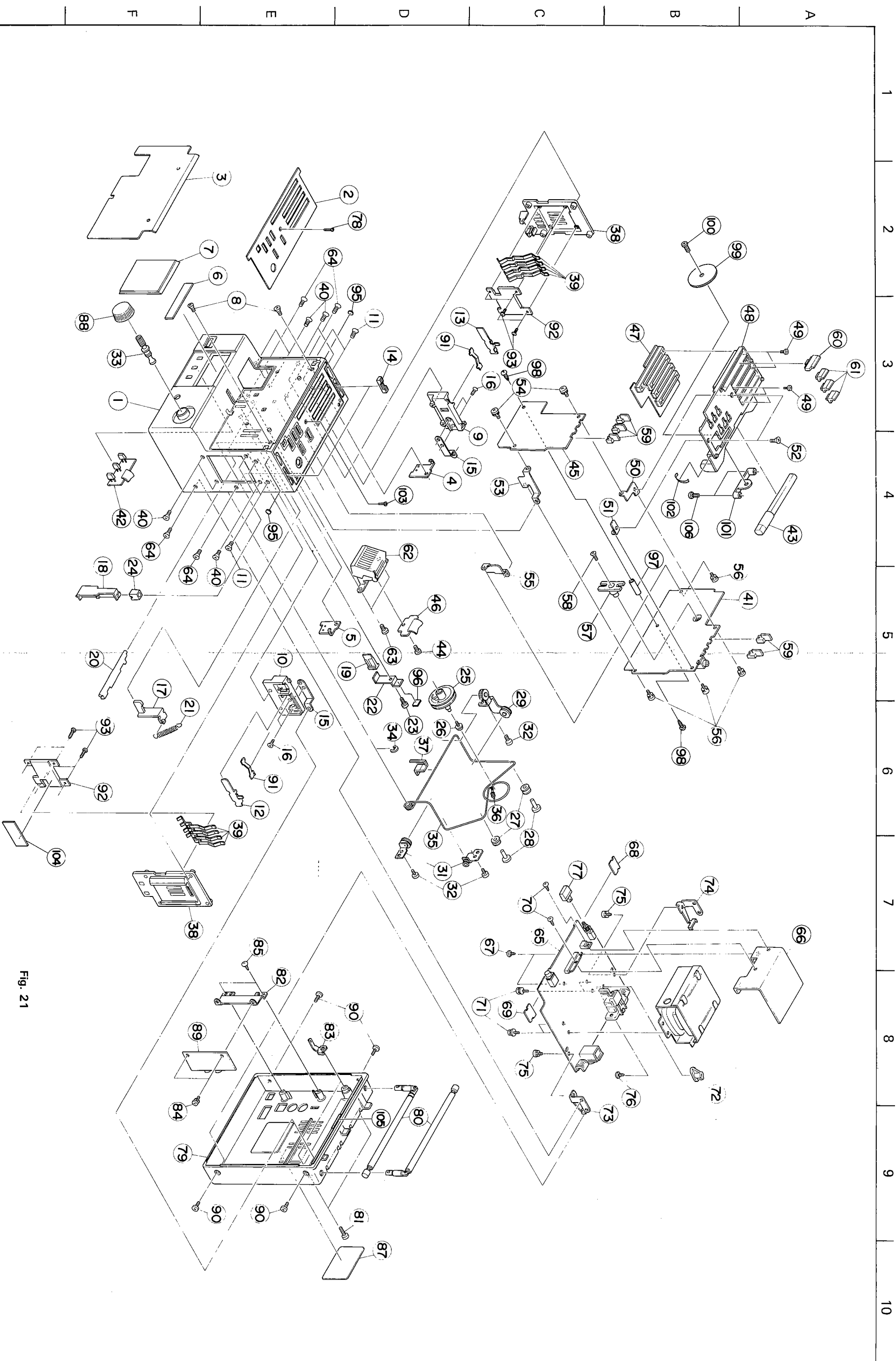


Fig. 21

**Enclosure Assembly and Electrical Parts List
(Receiver Parts)**

△ parts are safety assurance parts.

When replacing those parts, make sure to use the specified one.

△	Ref. No.	Parts No.	Parts Name	Remarks	Q'ty
	1 ~ 7	ZPCMR100Y-FR	Front Cabinet Ass'y	Red PC-M100 W	1
		" -FS	"	Silver PC-M100W/WH/C/JW	1
		" -FB	"	Black PC-M100W	1
	1	VJC1286-002	Front Cabinet	Silver PC-M100W/WH/C/JW	1
	"	" -007	"	Red PC-M100W	1
	"	" -017	"	Black PC-M100W	1
	"	" -003UL	"	Silver PC-M100JW/C	1
	2	VJD4717-003	Top Plate	"	1
	"	" -006	"	Red	1
	"	" -008	"	Black	1
	3	VJD4700-008	Center Plater	Silver	1
	"	" -010	"	Red	1
	"	" -011	"	Black	1
	4	VJD4711-002	Fook (L)		1
	5	VJD4716-002	" (R)		1
	6	VJD4701-002	Dial Back	Silver	1
	"	" -001	"	Red	1
	"	" -003	"	Black	1
	7	VJK4198-003	Dial Scale	Silver	1
	"	" -009	"	Red	1
	"	" -009	"	Black	1
	8	SSSP3006Z	Screw		2
	9	VYH5246-003	Handle Holder (L)		1
	10	" -004	" (R)		1
	11	SSSF3010N	Tap Screw	Silver	4
	"	SSSF3010M	"	Red	4
	"	"	"	Black	4
	12	VYH5248-001	Slider (R)		1
	13	" -002	" (L)		1
	14	VXS4107-002	Slide Knob	Silver	2
	"	" -001	"	Red	2
	"	" -001	"	Black	2
	15	VYH5318-001	Bracket		2
	16	SSSP2603Z	Screw		4
	17	VYH5241-001	Lock Arm		1
	18	VYH5242-001	Lever		1
	19	VYH5243-002	Slider	PC-M100W/WH	1
	"	" -003	"	PC-M100JW/C	1
	20	VYH5244-001	Lever		1
	21	VYH5378-001	Spring		1
	22	VYH5372-002	"		1
	23	SBSF3010Z	Tap Screw		1
	24	VXP4328-001	Push Knob		1
	25	VYH5245-001	Drum		1
	26	GBSF3010Z	Tap Screw		1
	27	V40409-2	Roller		2
	28	RTA3008	Ribet		2
	29	VYH5253-00A	Roller Bracket Ass'y		1
	30	VYH5255-00A	"		1
	31	VYH5286-00A	"		1
	32	SBSF3008Z	Tap Screw		3
	33	VYH4027-008	Tuning Shaft		1
	34	REE4000X	E Ring		1
	35	VHR2ZK9-04AT	Dial Cord		1 set
	36	VKW3002-098	Spring		1
	37	VJN4080-001	Pointer		1
	38	VJD3405-002	Holder	Silver	2
	"	" -001	"	Red	2
	"	" -001	"	Black	2
	39	VJD4725-001	Contact		8
	40	SSSF3010N	Tap. Screw	Silver	8
	"	SSSF3010M	"	Red	8
	"	"	"	Black	8

△	Ref. No.	Parts No.	Parts Name	Remarks	Q'ty
	41	—	Tuner P.W. Board Ass'y		1
	42	—	LED P.W. Board Ass'y		1
	43	VQB010A-304	Ferrite Core Antenna		1
	48	VYH2143-001	Holder		1
	49	SSSP2005Z	Screw		4
	50	VYH5288-002	Bracket (A)		1
	51	" -001	" (B)		1
	52	SSSP3006Z	Screw		2
	53	VYH5290-001	Bracket (C)		1
	54	LPSP3006Z	Screw		2
	55	VYH5291-001	Bracket (D)		1
	56	LPSP3006Z	Screw		1
	57	VYH5247-001	Arm		1
	58	SSSP2608Z	Screw		1
	59	VXP4325-001	Push Knob		8
	60	VXS4105-001	Slide Knob		1
	61	VXS4106-001	"		2
	62	VYH5294-00B	Contact Ass'y		1
	63	SBSF3010Z	Tap Screw		2
	64	SSSP3006N	Screw	Silver	2
	"	SSSP3006M	"	Red	2
	71	LPSP3006Z	Screw		4
	72	VYH4735-001	Bracket		1
	73	VYH5292-002	Bracket (E)		1
	74	VYH5293-002	" (F)		1
	75	LPSP3006Z	Screw		2
	77	VXP4325-001	Push Knob		1
	79	VJC1287-003	Rear Cabinet	Silver PC-M100W/WH	1
	"	" -007UL	"	" PC-M100JW/C	1
	"	" -006	"	Red PC-M100W	1
	"	" -008	"	Black PC-M100W	1
	80	VJA3014-00A	Terrescopic Antenna		2
	81	SDSP3010R	Screw		2
	82	VYH5342	Bracket		1
	83	VYH5012-002	Terminal Lug		2
	84	LPSP3006Z	Screw		2
	85	SBSF3010Z	Tap. Screw		2
	87	VYN5088-002	Name Plate	PC-M100W	1
	"	" -003	"	PC-M100JW	1
	"	" -006	"	PC-M100C	1
	88	VXL4185-001	Tuning Knob		1
	90	SDSP3004R	Screw		4
	91	VYH5365-001	Handle Spring		2
	92	VYH5377-001	Spacer		2
	93	SBSF2605Z	Tap. Screw		8
	95	VYSF202-008	Spacer		2
	96	VYSS1R1-005	"		1
	97	VYSS1R8-003	"		1
	98	SBSF3008Z	"		2
	99	VXL4144-002	Knob	Fine	1
	100	SSSP2004Z	Screw		1
	101	VYH5355-001	Holder		1
	102	VYSA1R4-056	Spacer		1
	103	SPSK2080N	Mini Screw		1
	104	VYSS1R8-003	Spacer		2
	105	VYSA1R6-034	"		1
	106	SBSF3010Z	Screw	for Fine	2
	107	VYH5399-001	Spacer	PC-M100C/JW	2
	108	VYH5400-001	"	PC-M100C/JW	1
	109	VND4058-005	DC Input Level	"	1

Disassembling the Deck Section

A. Removal of top cover (Fig. 22)

1. Open the cassette holder, remove 4 screws ① SPSH1740N, then remove the top cover.

Note: When remounting it, insert its hand strap attaching metal side first.

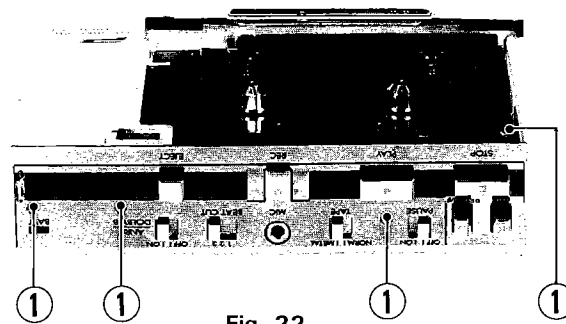


Fig. 22

B. Removal of rear cover ass'y (Figs 23 and 24)

1. Remove the top cover.
2. Remove screw ② SPSH1720N and 5 screws ③ SPSH1735N from the right and left sides.
3. Remove 2 screws ④ SPSH1735N at the battery cover side and remove the rear cover ass'y from the electret condenser microphone side while pressing in the lever ass'y.

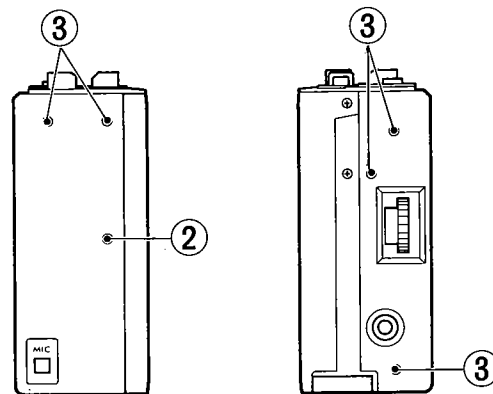


Fig. 23

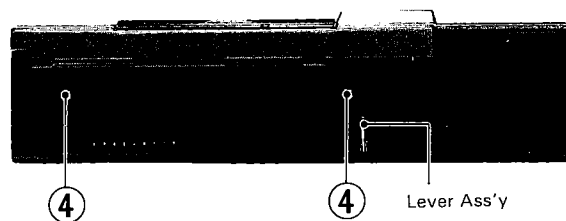


Fig. 24

C. Removal of main board ass'y (Fig. 25)

1. Remove the rear cover.
2. Remove 4 screws ⑤ SPSK1730N and screw ⑥ F00410-25N, then set up the main board ass'y.

Note: when remounting it, install so that the REC/PB select switch S701 and the REC lever operate in response to each other.

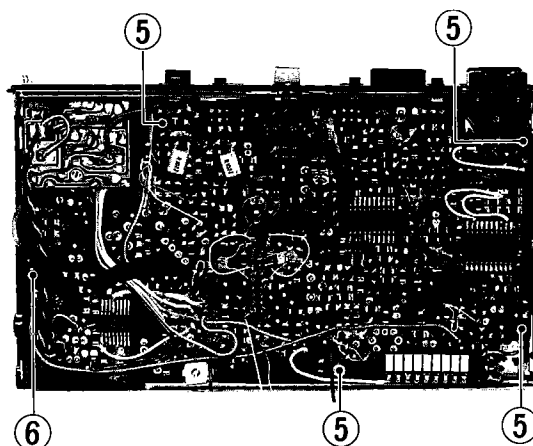


Fig. 25

D. Removal of cassette lid ass'y (Fig. 26)

1. Remove the rear cover.
2. Remove 2 screws ⑦ SSSK1720M.
3. Remove the cassette lid ass'y, being careful not to lose the door springs.

Note: When remounting it, set the longer side of the spring to the cassette lid side.

E. Removal of cassette mechanism parts

The procedure of removal is the same as in RC-S55. Refer to Service Manual No. 1490 on page 6.

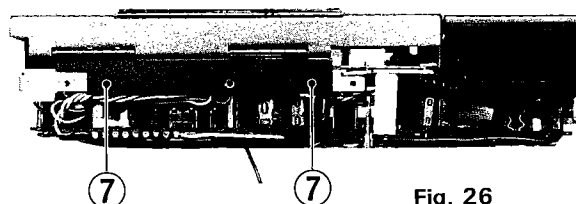


Fig. 26

Block Diagram

Recording System

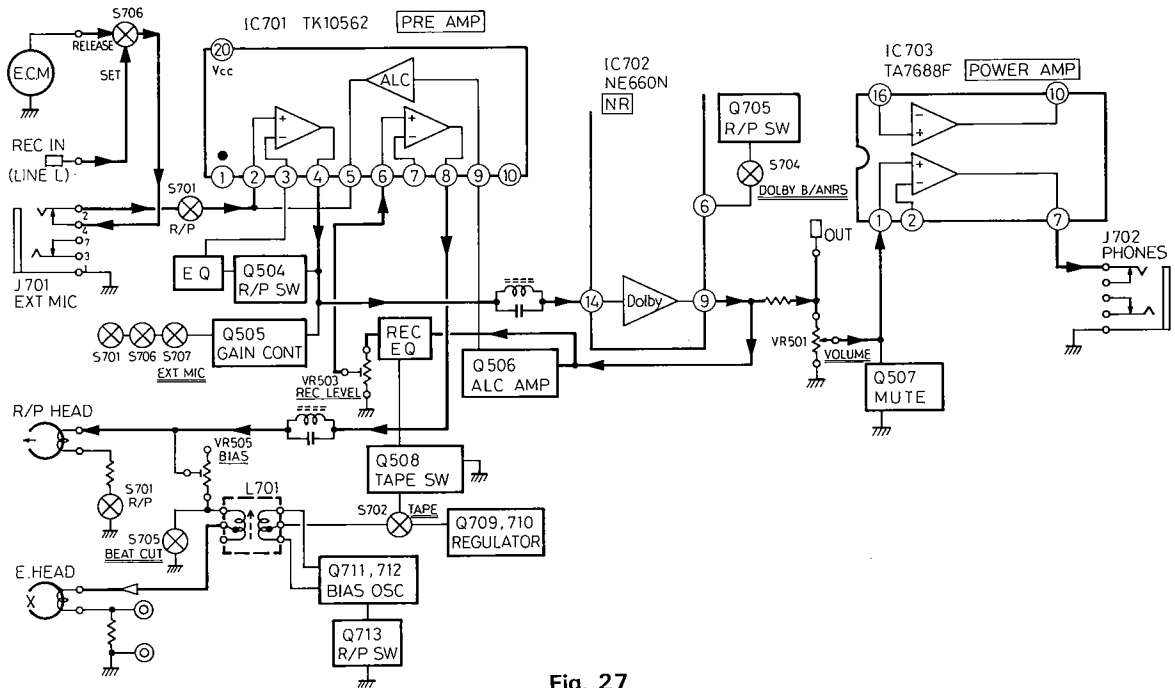


Fig. 27

Playback System

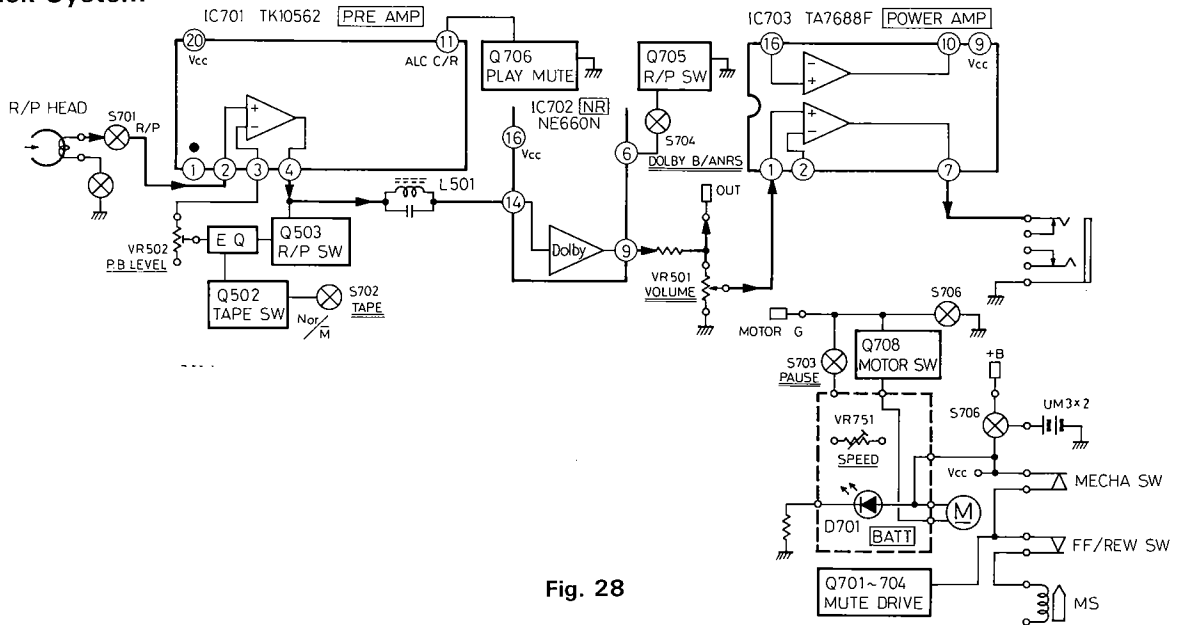


Fig. 28

IC701 TK10562

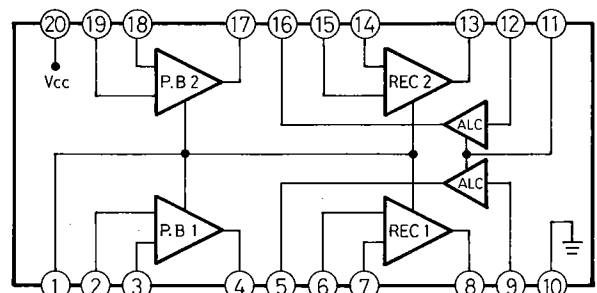
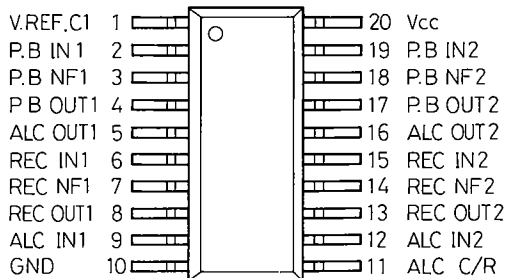
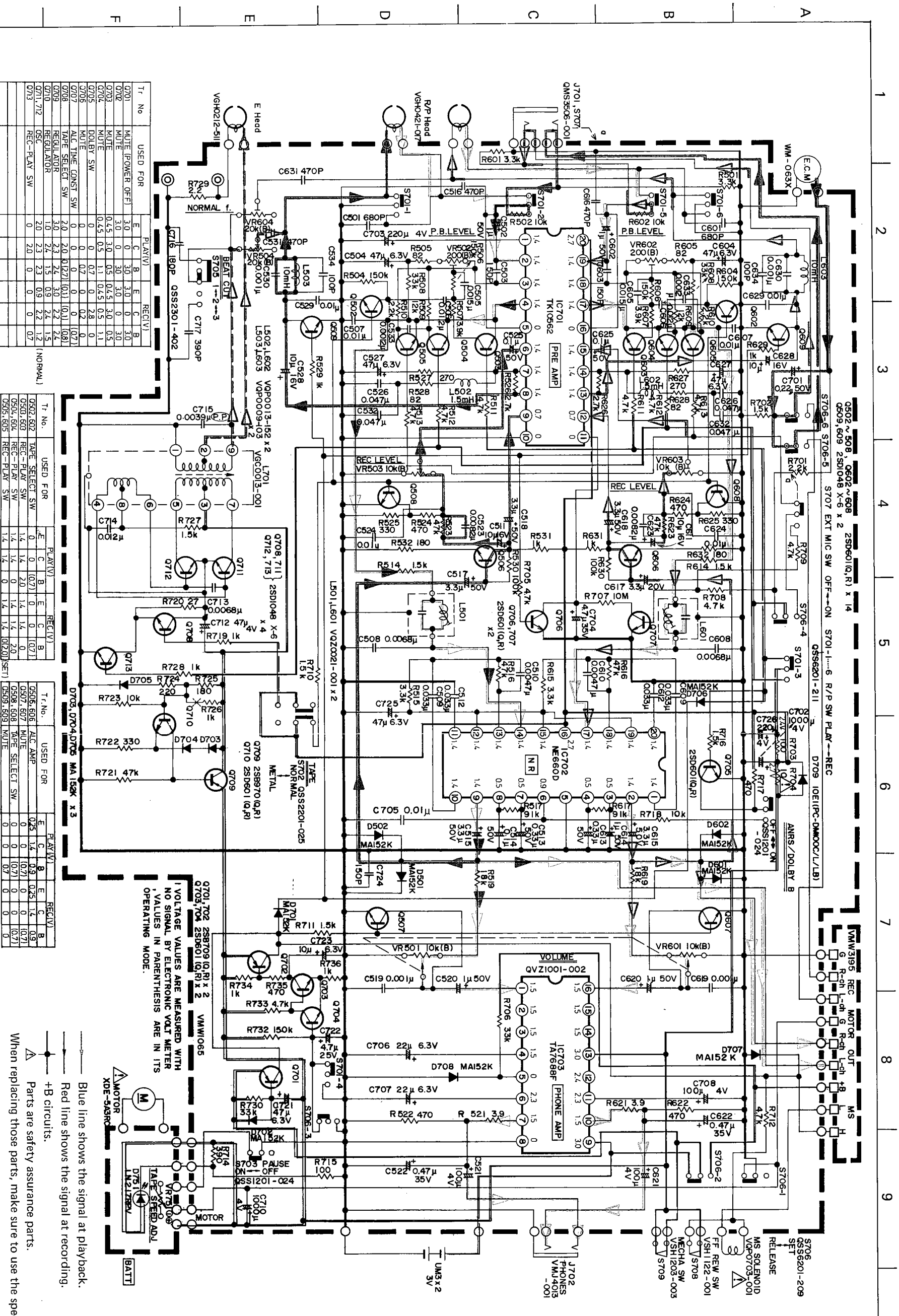


Fig. 29

Standard Schematic Diagram of PC-M100 (Cassette Deck)



T. No.	USED FOR	PLAY(V)	REC(V)
Q701	MUTE (POWER OFF)	3.0	3.0
Q702	MUTE	3.0	3.0
Q703	MUTE	0.45	3.0
Q704	MUTE	0.45	0.5
Q705	DOLBY SW	0	2.8
Q706	MUTE	0	0
Q707	AIC TIME CONST SW	0	0
Q708	TAPE SELECT SW	2.0	2.4
Q709	REGULATOR	1.0	2.4
Q710	REGULATOR	2.0	2.2
Q711	OSC	2.0	2.2
Q712	REC-PLAY SW	0	0

T. No.	USED FOR	PLAY(V)	REC(V)
Q501	REC-PLAY SW	1.4	1.4
Q502	REC-PLAY SW	1.4	1.4
Q503	REC-PLAY SW	1.4	1.4
Q504	REC-PLAY SW	1.4	1.4
Q505	REC-PLAY SW	1.4	1.4

T. No.	USED FOR	PLAY(V)	REC(V)
Q506	AIC AMP	0.5	0.9
Q507	MUTE	0	0
Q508	TAPE SELECT SW	0	0
Q509	MUTE	0	0

Q701, Q702 2SBD109 (Q,R) x 2 VAM106S
 Q703, Q704 2SBD101 (Q,R) x 2 VAM106S
 ! VOLTAGE VALUES ARE MEASURED WITH
 NO SIGNAL BY ELECTRONIC VOLT METER
 * VALUES IN PARENTHESIS ARE IN ITS
 OPERATING MODE.

Blue line shows the signal at playback.
 Red line shows the signal at recording.
 +B circuits.
 Parts are safety assurance parts.
 When replacing those parts, make sure to use the specified one.

Fig. 30

Cassette Amplifier Adjustment

Location of Adjustment Point

Parts side

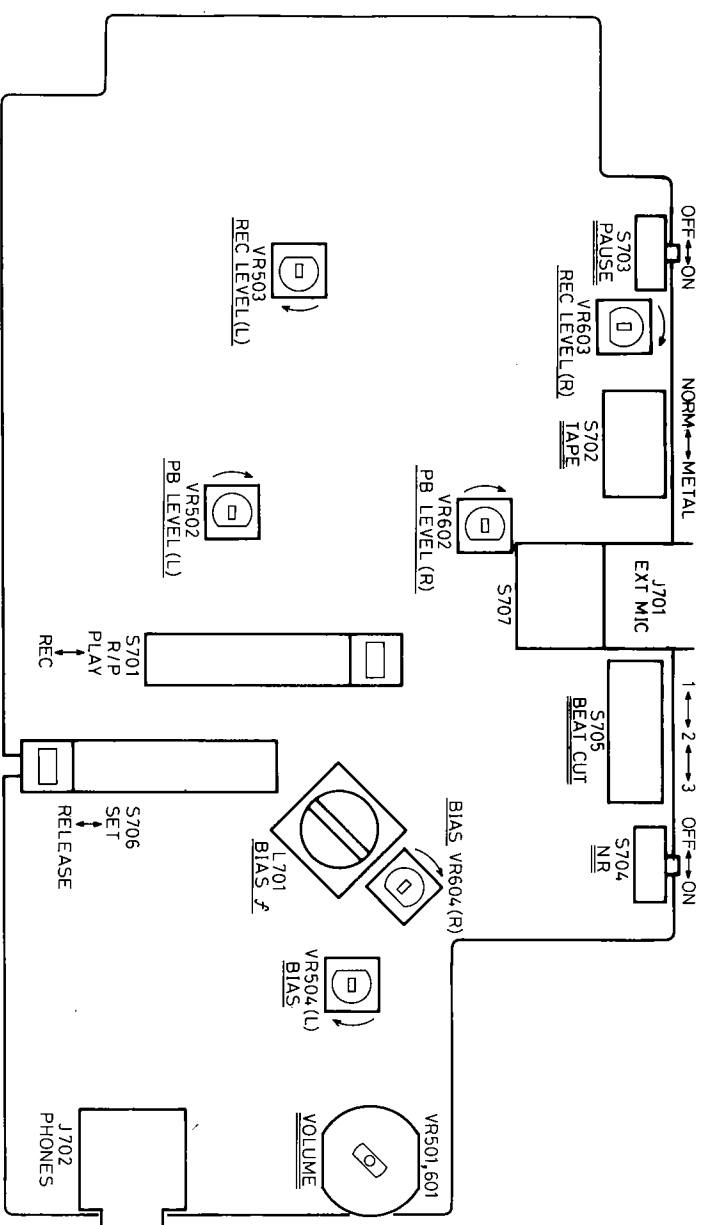


Fig. 31

Pattern side

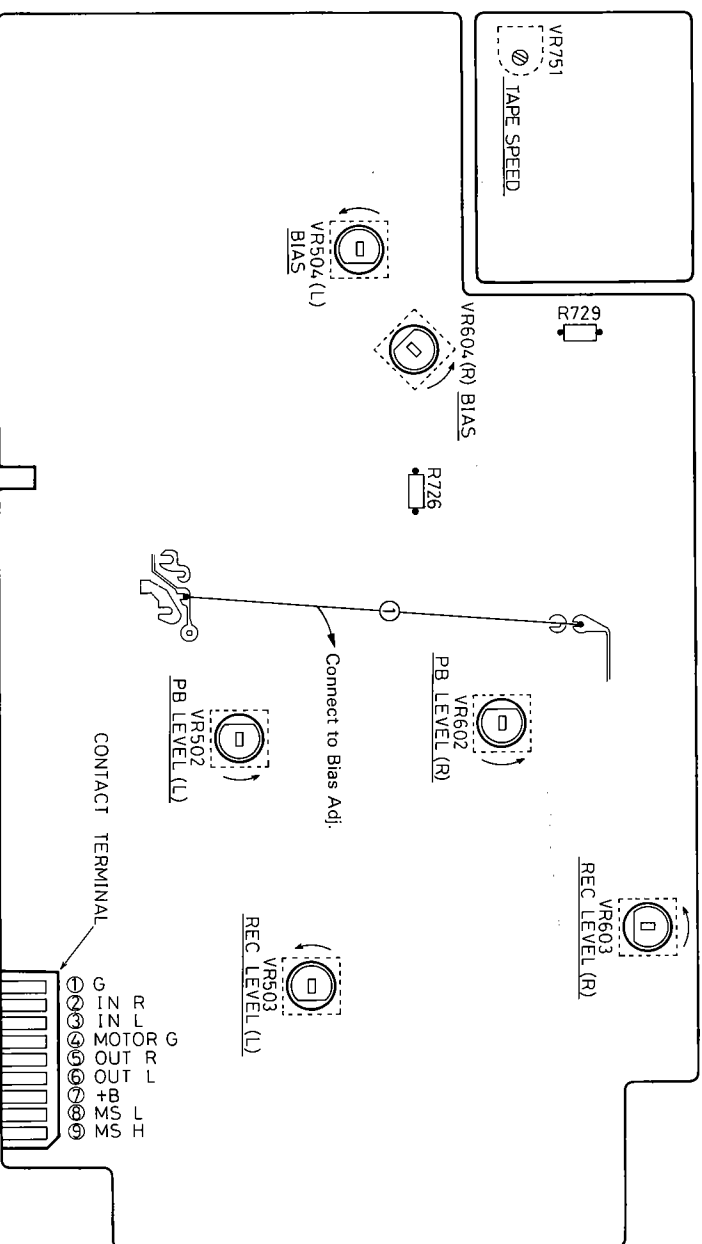


Fig. 32

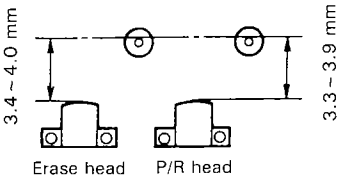
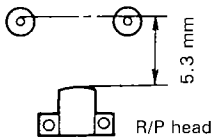
Conditions

Power supply	: DC 3 V	Specified input level	: AUX - 45 dBs
Input	: Connector pins 2 and 3		MIC - 60 dBs
Output	: Connector pins 5 and 6		When using AUX, connect a shorting wire between the microphone switch and S706 from the rear of the board.
BEAT CUT	: "1"		
DOLBY NR	: "OFF"		

Item	Tape to be used	Adjustment and check	Adjustment point
1. Azimuth	Test tape VTT-658 (10 KHz)	With maximum output, minimize the L/R phase difference.	REC/PB head azimuth adjustment screw
2. Tape speed adjustment and wow/flutter check	Test tape VTT-656 (3 KHz)	Adjust the output frequency to 3,010 ± 15 Hz. Wow and flutter should be less than 0.28% (JIS WRMS).	VR751 (Motor governor P.W. Board).
3. PB level adjustment	Test tape VTT-664 (1 KHz)	Adjust it to - 23 dbfs between connector pins 5 and 6	VR502, VR602
4. Bias frequency adjustment TAPE: METAL	-	Connect a frequency counter across R729 (2.2 Ω) and adjust it to 48 KHz. In this case, erase current should be 50-60 mA (110-143 mV/2.2 Ω).	L701
5. REC/PB frequency response adjustment	TS-5 (for normal)	With TAPE switch at NORM, record 1 KHz and 10 KHz at - 65 dbfs (reference level - 20 dbfs) alternately and play it back. In this case, the deviation in output level of 10 KHz from 1 KHz should be 0 dB + 1, - 0 dB.	VR504, VR604
(REC/PB sensitivity adjustment)	"	Record 1 KHz at - 55 dbfs and play it back. In this case, the level difference between REC and PB should be 0 ± 0.5 dB.	VR503, VR603
(Metal tape frequency response check)	TS-7 (for metal)	With TAPE switch at METAL... REC/PB frequency response of - 65 dbfs input: 10 KHz/1 KHz = 0 ± 2 dB REC/PB level difference of - 55 dbfs input: 1 KHz = 0 ± 1 dB	-
6. Dolby ON REC/PB frequency response check	-	250 Hz to 6.3 KHz: within - 5 dB At 12.5 KHz: within - 7 dB	-
7. Microphone sensitivity check	-	Apply 1 KHz - 60 dbfs to MIC. In this case, the output should be - 23 dbfs ± 2 dB between connector pins 5 and 6.	-

Cassette Mechanism Section

When replacing a mechanical part, check the items below.

Item	Standards	Testing method	Tape to be used
1. Supply voltage	Rated voltage: DC 3 V Motor operating voltage range: DC 2.2 – 4 V	Constant voltage power supply	—
2. Tape speed	4.8 cm/s (3,000 Hz) + 3% – 2% Variation width 2%	Frequency counter (digital counter)	VTT-656
3. Wow & flutter	Less than 0.28% (WRMS)	Wow meter	VTT-656
4. Take-up torque	PLAY 28–70 g.cm	In PLAY mode, when the reel is locked, no slippage should occur between the idler, reel and take-up pulley. Torque gauge CTG-N (made by Tohnichi or its equivalent)	—
	FF 50–100 g.cm		
	REW 50–100 g.cm		
5. Current consumption (of motor only)	PLAY less than 160 mA	DC current meter	C-60 Use a tape with normal take-up torque.
	FF at end of tape, less than 250 mA		
	REW when reel is locked, less than 530 mA		
6. Pinch roller pressure	200–280 g	When pinch roller stops with tension gauge pulled horizontally.	
7. Thrust of flywheel not constant	0.05–0.2 mm	Clearance gauge	
8. Head position at PLAY or REC	 <p>In PLAY (REC) mode, each head should be positioned within the ranges shown above. The top of each should not touch the cassette.</p>		All types of cassette tapes
9. Head position in music scan		(In cue or review, 5.3 mm)	
10. Auto-stop operation	At a reduced voltage of 4 V, the unit should auto-stop within 10 sec. after winding is finished in PLAY, FF and REW modes.		Any type of cassette tape
11. FF and REW times	FF less than 105 sec		C-60
	REW less than 105 sec		

Location of P.W. Board Parts and Parts List (Cassette)

Parts side

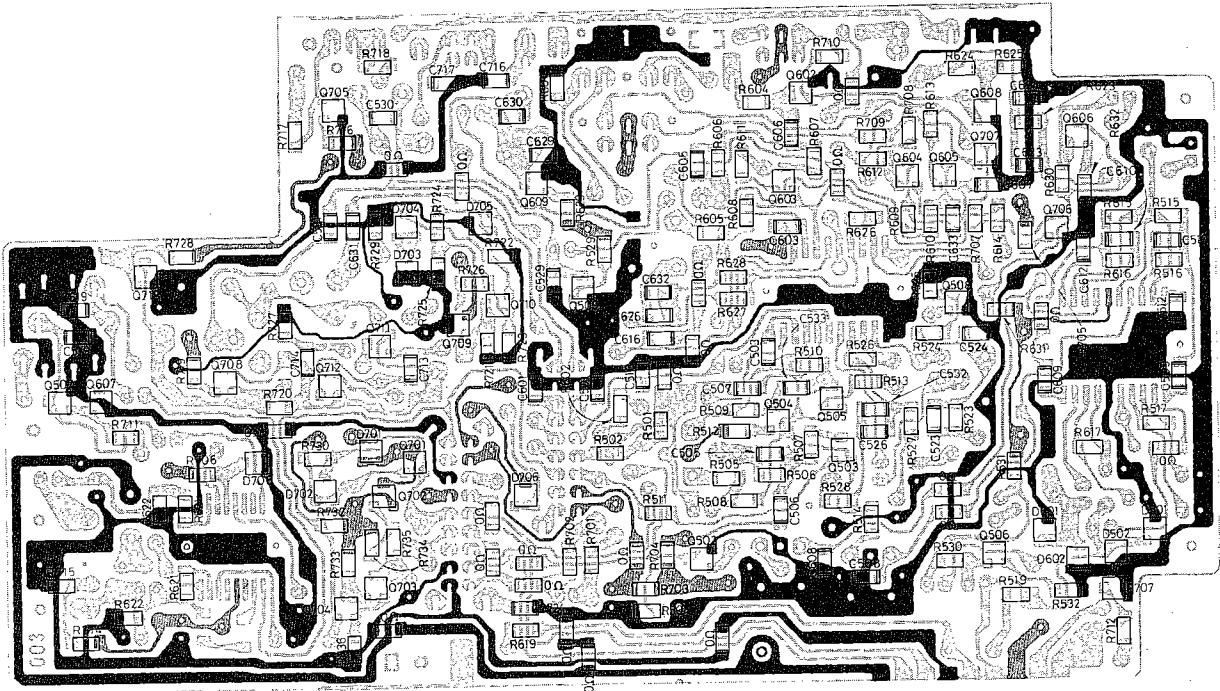



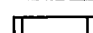


Fig. 33

-  +B
-  Earth
-  Printed pattern
-  Chip parts

Pattern side

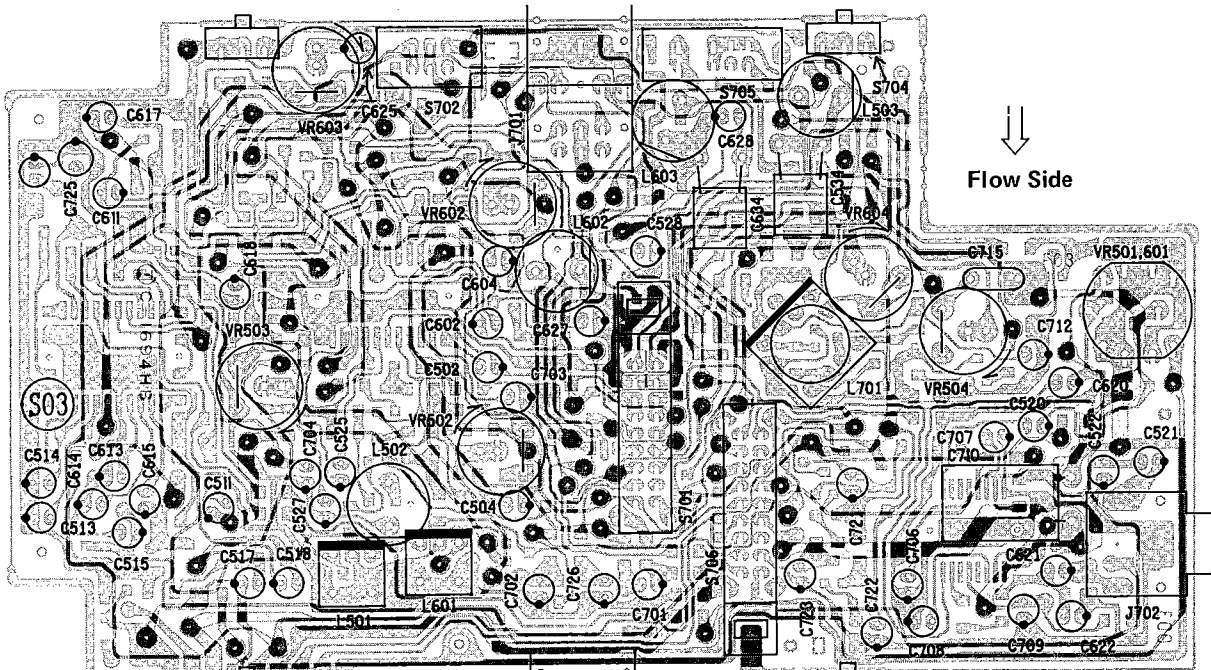


Fig. 34

△ parts are safety assurance parts.
When replacing those parts, make sure to use the specified one.

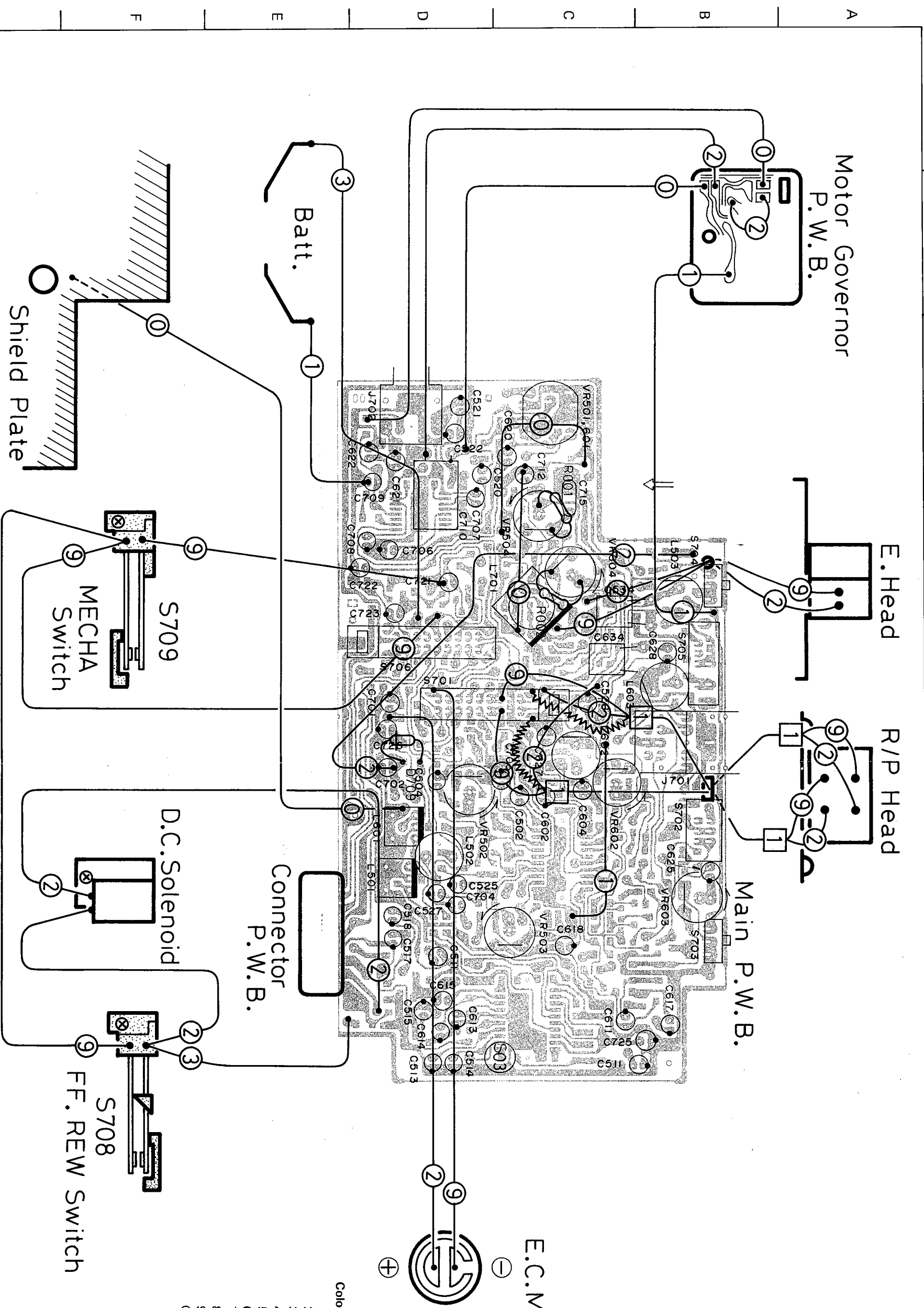
Cassette Amplifier Parts List

△	Ref. No.	Parts No.	Parts Name	Remarks	Q'ty
	IC701	TK10562	IC		1
	IC702	NE660D (B1)	"		1
	IC703	TA7688F	"		1
	Q502~508	2SC601(Q,R)	Transistor		20
	602~608				
	703~707,710				
	Q509,609,708	2SD1048X	"		6
	711~713				
	Q701,702	2SB709(Q,R)	"		2
	Q709	2SB970(Q,R)	"		1
	D501,601,502	MA152K	Si. Diode		12
	602,701~708				
	J701	QMS3506-001	Mic. Jack		1
	J702	VMJ4013-001	H. P. Jack		1
	S701	QSS6201-211	Slide Switch	R/P	1
	S702	QSS2201-025	"	Met/Nor	1
	S703	QSS1201-024	"	PAUSE	1
	S704	" -024	"	NR	1
	S705	QSS2301-402	"	Beat Cut	1
	S706	QSS6201-209	"		1
	VR501,601	QVZ1001-002	V. Resistor		1
	VR502,602	QVZ3515-022	"		2
	VR503,603	" -014	"		2
	VR504,604	" -024	"		2
	L501,601	VQZ0021-001	Trap Coil		2
	L502,602	VQP0013-152	Inductor		2
	L503,603	VQP0009-103	"		2
	L701	VGC0013-001	OSC Coil		1
	R501,601,511	QRS188J-332	M.G. Resistor	3.3 kΩ	4
	615				
	R502,602,718	" -103	"	10 kΩ	4
	723				
	R504,604,506	" -154	"	150 kΩ	5
	606,732				
	R505,605,528	" -820	"	82 Ω	4
	628				
	R507,607	" -392	"	3.9 kΩ	2
	R508,608,706	" -333	"	33 kΩ	4
	730				
	R509,609	" -123	"	12 kΩ	2
	R510,610,701	" -222	"	2.2 kΩ	3
	R511~513	" -472	"	4.7 kΩ	11
	611~613				
	705,708,709				
	712,733				
	R514,614,702	" -152	"	1.5 kΩ	7
	710,711,716				
	727				
	R516,616,523	" -473	"	47 kΩ	5
	623,721				
	R517,617	" -913	"	91 kΩ	2
	R519,619	" -183	"	18 kΩ	2
	R521,621	" -3R9	"	3.9 Ω	2
	R522,622,524	" -471	"	470 Ω	6
	624,717,735				
	R525,625,722	" -331	"	330 Ω	3
	R526,626	" -272	"	2.7 kΩ	2
	R527,627	" -271	"	270 Ω	2
	R529,629,531	" -102	"	1 kΩ	9
	631,719,726				
	728,734,736				
	R530,630	" -104	"	100 kΩ	2
	R532,632,725	" -181	"	180 Ω	3
△	R703,715	" -101	"	100 Ω	2
	R704	" -100	"	10 Ω	1
	R707	QRS188M-106	"	10 MΩ	1
	R714	QRD188J-391	"	390 Ω	1
	R720	" -180	"	18 Ω	1

△	Ref. No.	Parts No.	Parts Name	Remarks	Q'ty
	R724	QRS188J-221	M.G. Resistor	220 Ω	1
	R729	" -2R2	"	2.2 Ω	1
		" -0R0	"	0 Ω	21
	C501,601	QCS81HK-681	C. Capacitor	680 pF 50 V	2
	C503,603,724	" -151	"	150 pF	3
	C505,605	QCY81HK-153	"	0.015 μF	2
	C506,606,714	" -123	"	0.012 μF	3
	C507,607,524	" -103	"	0.01 μF	7
	624,529,629 705				
	C508,608,713	" -682	"	0.0068 μF	3
	C509,609,512	QCY81EK-333	"	0.033 μF 25 V	4
	612				
	C510,610	QCY81HK-472	"	0.0047 μF 50 V	2
	C516,616,531	QCS81HK-471	"	470 pF	4
	631				
	C519,619	QCY81HK-102	"	0.001 μF	2
	C523,623	" -822	"	0.0082 μF	2
	C526,626,532	QCY81EK-473	"	0.0047 μF 25 V	4
	632				
	C533,633	QCY81EK-122	"	0.0012 μF 50 V	2
	C534,634	QCS81HK-101	"	100 pF	2
	C715	QFP42AJ-392	"	0.0039 μF 100 V	1
	C716	QCS81HK-181	"	180 pF 50 V	1
	C717	" -391	"	390 pF	1
	C502,602,514	QEK41HM-105	E. Capacitor	1 μF	6
	614,520,620				
	C527,604	QER40JM-476	"	4.7 μF 6.3 V	2
	C504,627	QEK40JM-476	"	"	2
	C511,528,628	QEK41CM-106	"	10 μF 16 V	3
	C611	QER41CM-106	"	"	1
	C513,613	QEK41HM-334	"	0.33 μF 50 V	2
	C515,517,617	QER41HM-335	"	3.3 μF	5
	518,618				
	C615	QEK41HM-335	"	"	1
	C521,621,708	QEK40GM-107	"	100 μF 4 V	3
	C525,625	QEK41HM-104	"	0.1 μF 50 V	2
	C701	" -224	"	0.22 μF	1
	C702	QETA0GM-108	"	1,000 μF 4 V	1
	C703	QER40GM-227	"	220 μF	1
	C704	QER41VM-475	"	4.7 μF 35 V	1
	C706,707	QEK40JM-226	"	22 μF 6.3 V	2
	C710	QET40GR-108S	"	1000 μF 4 V	1
	C712	QEK40GM-476	"	4.7 μF	1
	C721	QEK40JM-476	"	" 6.3 V	1
	C722	QEK41EM-475	"	4.7 μF 25 V	1
	C723	QEK40CM-106	"	10 μF 16 V	1
	C725	QER40JM-476	"	4.7 μF 6.3 V	1
	C726	QEK40GM-227	"	220 μF 4 V	1
	C522,622	QEE41VM-474B	T.E. Capacitor	0.47 μF 35 V	2
	C530,630	QFN81HJ-102	M. Capacitor	0.001 μF 50 V	2

Wiring Connection (Cassette Deck)

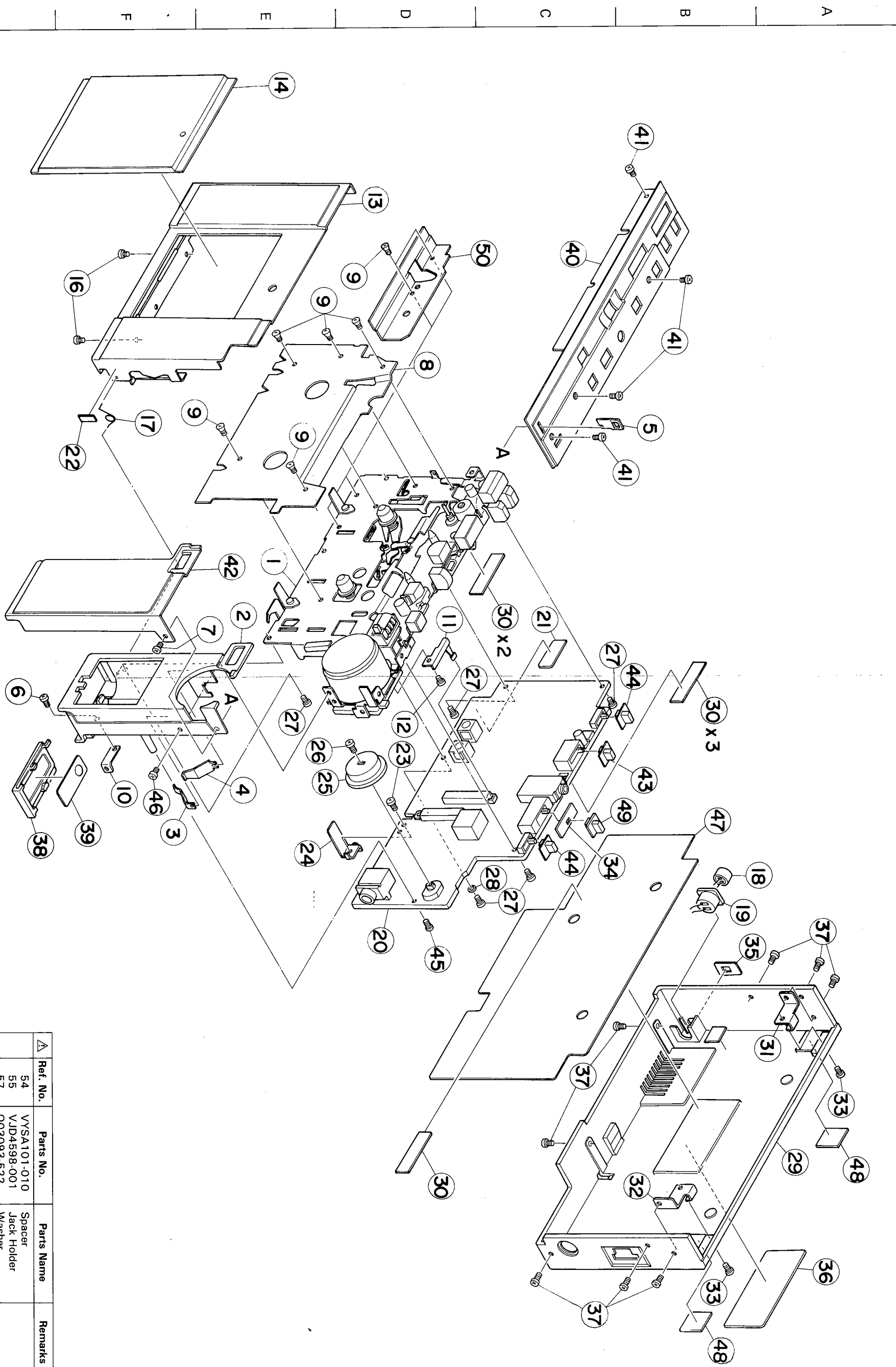
1 2 3 4 5 6 7 8 9 10



- Color code are shown below
- 1 Brown
 - 2 Red
 - 3 Orange
 - 4 Yellow
 - 5 Green
 - 6 Blue
 - 7 Violet
 - 8 Grey
 - 9 White
 - 0 Black

Enclosure Assembly Parts (Cassette Mechanism)

1 2 3 4 5 6 7 8 9 10



Ref. No.	Parts No.	Parts Name	Remarks	Q'ty
54	VYSA101-010	Spacer		1
55	VJD4598-001	Jack Holder		1
57	003093-522	Washer		1

**Enclosure Assembly Parts List
(Cassette Deck)**

△ parts are safety assurance parts.
When replacing those parts, make sure to use the specified one.

△	Ref. No.	Parts No.	Parts Name	Remarks	Q'ty
	1	—	Cassette Mechanism Ass'y		1
	2	VJC1296-002	Battery Holder	Silver	1
	"	" -001	"	Red	1
	"	" -003	"	Black	1
	3	VYH5018-002	Battery Spring		1
	4	VYH5019-002	"		1
	5	VYH5331-001	Plate		1
	6	SPSH1735N	Mini Screw		1
	7	VKZ4013-001	Spacial Screw		1
	8	VJD3351-004	Inner Lay	Silver	1
	"	" -005	"	Red	1
	"	" -006	"	Black	1
	9	SSSK1720M	Mini Screw	Inner lay × 5, C. Holder × 2	7
	10	VYH5333-001	Bracket		1
	11	VKY4299-001	Rec Spring		1
	12	SPSK1716M	Mini Screw		1
	13,14	ZPCCMD100Y-CS	Cabinet Ass'y		1
	"	" -CR	"		1
	"	" -CB	"		1
	13	VJT4081-00C	Cassette Lid Ass'y	Silver	1
	"	" -00E	"	Red	1
	"	" -00D	"	Black	1
	14	VJT3114-001	Window	Red	1
	"	" -002	"	Silver	1
	16	SSSK1720M	Mini Screw		1
	17	VYH5023-002	Door Spring		1
	18	WM-063X	E.C. MIC		1
	19	VYH5024-001	MIC Bushing		1
	20	—	Main P.W. Board Ass'y		1
	22	VYSS1R5-006	Spacer		1
	23	SPSH2030N	Screw		1
	24	VYH5335-00B	Lever Ass'y		1
	25	VXL4170-001	Volume Knob		1
	26	SPSK1730N	Mini Screw		1
	27	"	"		5
	28	WLS1700N	Washer		1
	29	VJC2118-001	Rear Cover	Red	1
	"	" -002	"	Silver	1
	"	" -003	"	Black	1
	30	F00303-34	Spacer	(L)	1
	31	VYH5261-001	Holder		1
	32	VYH5263-001	"	(R)	1
	33	SPSH1730N	Mini Screw		2
	34	VYH5262-001	Shield		1
	35	VJD4614-001	MIC Plate		1
	36	VYNA416-001	Name Plate	PC-M100W Red	1
	"	" -002	"	" Silver	1
	37	SPSH1735N	Mini Screw		8
	38	VJC4014-001	Battery Cover	Red	1
	"	" -002	"	Silver	1
	"	" -003	"	Black	1
	39	VYH5026-002	Battery Contact		1
	40	VJD2206-001	Tap Cover		1
	41	SPSH1740N	Mini Screw		4
	42	VJD4710-002	Mark Plate	Silver	1
	"	" -005	"	Red	1
	"	" -004	"	Black	1
	43	VXS4080-001	Knob		1
	44	VXS4108-001	"		2
	45	F00410-25N	Tap Screw		1
	47	VYH5380-001	Shield		1
	48	VJD4736-001	Plate	Red	1
	"	" -002	"	Silver	1
	"	" -003	"	Black	1
	49	VXS4081-001	Knob		1
	50	VJD4733-001	Cassette Holder		1
	51	SPSH1720N	Mini Screw	Rear Cover	1
	53	VYH5391-001	Spacer		2

△ parts are safety assurance parts.

When replacing those parts, make sure to use the specified one.

Mechanical Component Parts List

△	Ref. No.	Parts No.	Parts Name	Remarks	Q'ty
	1	VKL2193-00B	Chassis Base Ass'y		1
	2	VKW3002-103	Tension Spring	Stop. Eject	2
	3	VKW3006-052	Torsion Spring	Play	1
	4	VKW3002-118	Tension Spring	Rec.	1
	5	REE1200	E Ring		1
	6	VKS4470-00A	F.F Bar Ass'y		1
	7	REE1500	E Ring		1
	8	VKS4471-00D	Rew Bar Ass'y		1
	9	REE2000	E Ring		1
	10	VKL5239-001	SW Lever		1
	11	REE1500	E Ring		1
	12	VSH1203-003	Leaf Switch	Motor Switch	1
	13	SPSK1725M	Mini Screw	{ Leaf Switch × 1	4
	14	VKS4472-002	Lock Adaptor	{ Moter Bracket × 3	1
	15	SPSK1416M	Mini Screw		1
	16	VKL5240-00E	Lock Cam Bracket Ass'y		1
	17	SPSK1716M	Mini Screw		2
	18	VKP4124-00A	Pinch Roller Arm Ass'y		1
	19	VKW3006-047	Torsion Spring	P. Roller	1
	20	REE2000	E Ring		1
	21	VKW3006-048	Torsion Spring		1
	22	VGH0421-017	R/P Head Ass'y		1
	23	VKW4369-002	Azimuth Spring		1
	24	SPSX2006N	Screw	Azimuth	1
	25	VKS4474-002	Tape Guide Arm		1
	26	VKW3002-102	Tension Spring	T. Guide	1
	27	REE2000	E Ring		1
	28	VKZ4001-012	Wire Clamp		2
	29	VKL5243-00B	Motor Bracket Ass'y		1
	30	SPSK1720M	Mini Screw	Counter Bracket	2
	31	XDE-5A3RC	Motor		1
	32	VKZ4015-003	Rubber Bushing	Motor	3
	33	VKH4375-001	Motor Bushing	"	3
	34	SPSK1735M	Mini Screw	"	3
	35	VKB3000-055	Belt	Capstan	1
	36	VKR4308-002	Sub. Gear		1
	37	VKZ4004-004	Special Washer		1
	38	VKR4287-00A	Sub. Wheel Ass'y		1
	39	Q03093-835	Washer		1
	40	REE1200	E Ring		1
	41	VKF3121-00F	Flywheel Capstan Ass'y		1
	42	Q03093-830	Washer		1
	43	REE1600	E Ring		1
	44	VKY4263-003	Head Base Spring		1
	45	SPSK1716M	Mini Screw		1
	46	VKS4502-001	Cue Review Lever		1
	47	VKH3013-015	Flange Collar		1
	48	SSSK1735M	Mini Screw		1
	49	SPSK1716M	"	Reel Disk Bracket Ass'y	4
	50	VKL3438-00A	Reel Disk Bracket Ass'y		1
	51	VKW3002-105	Tension Spring		1
	52	" -113	"		2
	53	" -111	"		2
	54	SPSP2004N	Screw	R/P Head	1
	55	VKR4293-00A	T-up Clutch Ass'y		1
	56	VKR4296-001	F.F Gear		1
	57	VKH3013-016	Flange Collar		1
	58	SSSK1420M	Mini Screw	F.F. Gear	1
	59	VKR4297-00A	FR Cluth Ass'y		1
	60	VKR4300-001	Middle Gear		1
	61	VKR4301-001	Cam Gear		1

Mechanical Component Parts

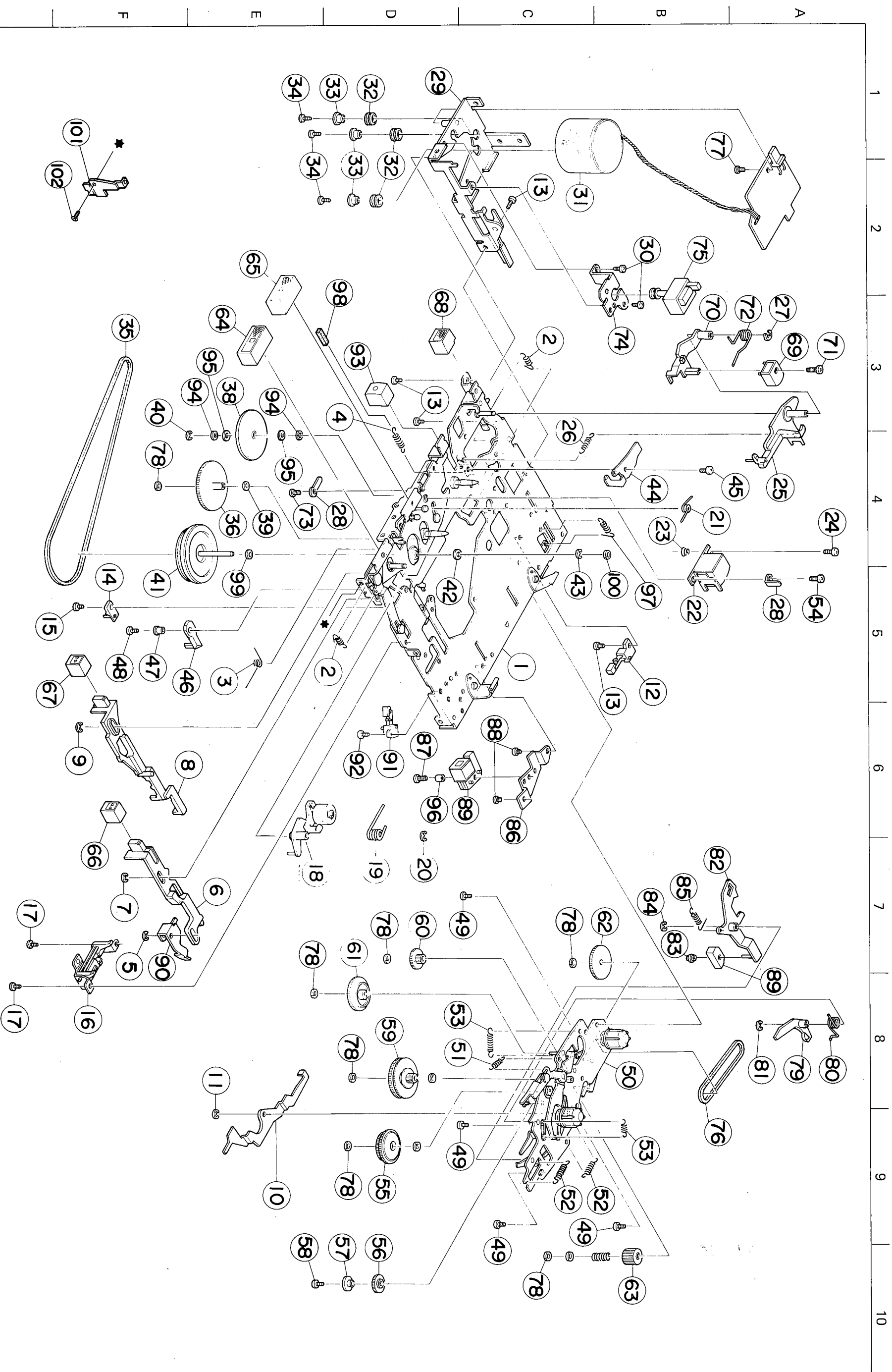


Fig. 37

Exploded View, Wiring Connection and Parts List for Speakers

Replacement of speaker (Refer to the exploded view.)

1. Remove the speaker from the receiver section by pressing the speaker release button. (In this case, remove the batteries from the speaker.)
2. Remove 5 screws (29), then rear cover (17)
3. Unsolder the speaker terminals.
4. Remove speaker stay (32) (secured with adhesive compound).
5. Remove 5 screws (8), then 3 clamps (7) and bracket (40), to take out the speaker.

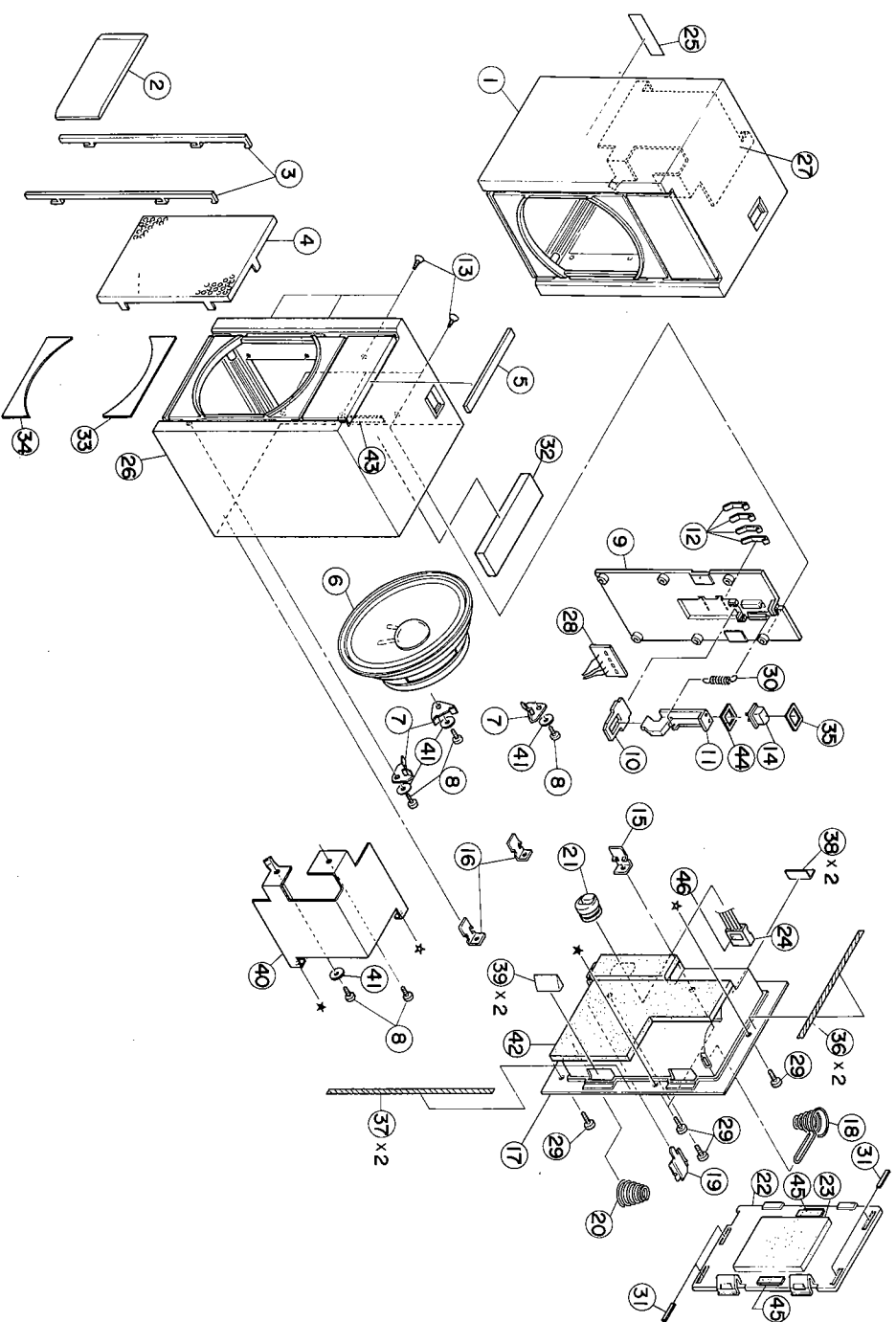


Fig. 38

Ref. No.	Parts No.	Parts Name	Remarks	Q'ty
62	VKR4302-001	Rew. Gear (2)		1
63	VKR4303-001	Stop Button (1)		1
64	VXP4242-003	Play Button		1
65	VXP4243-003	F.F. Button		1
66	VXP4244-003	Rew Button		1
67	VXP4245-003	Eject Button		1
68	VXP4246-003	Magnet & AC E. Head Ass'y		1
69	VGH0212-511	E. Head Lever		1
70	VKS4537-001	Special Screw		1
71	VKZ4017-001	E. Head		1
72	VKW4378-001	E. Head Lever Spring		1
73	SPSK1716M	Mini Screw		1
74	VKL5246-001	Counter Bracket	Wire Clamp	1
75	VKC5159-001T	Tape Counter	Counter	1
76	VKB3000-054	Belt		1
77	SPSK1725M	Mini Screw	Motor P.W. Board	1
78	VKZ4004-004	Special Washer		6
79	VKS4479-001	Play Lever		1
80	VKW4371-001	Play Lever Spring		1
81	REE1500	E Ring		1
82	VKS3158-002	Lock Lever		1
83	VKS4476-003	Spacer		1
84	REE1500	E Ring		1
85	VKW3002-109	Tension Spring	Lock Lever	1
86	VKL5254-001	Solenoid Bracket		1
87	SSSK2080Z	Mini Screw	DC Solenoid	1
88	SPSK1720M	Mini Screw		2
89	VGP0703-001	D.C. Solenoid Ass'y		1
90	VKL5255-001	Switch Lever		1
91	VSH1122-001	Leaf Switch	M.S Switch	1
92	SPSK1725M	Mini Screw	Leaf Switch	1
93	VXP4262-002	Rec. Button	Subwheel Ass'y	1
94	003093-839	Washer (Subwheel)		2
95	003094-155	"		2
96	VYH5105-002	Collar	DC Solenoid	1
97	VKW3002-121	Tension Spring	Rec. Safety	1
98	VKZ4139-001	Silencer	Rec. Spring	1
99	003093-838	Washer		1
100	"-846	Spacer		1
101	VYH5259-001	Side Bracket		1
102	SSSK1720M	Mini Screw		1

△ parts are safety assurance parts.

When replacing those parts, make sure to use the specified one.

Speaker System Assembly Parts List

△	Ref. No.	Parts No.	Parts Name	Remarks	Q'ty
	1~5 33,34	ZCPCBM100Y-FRL " -FSL " -FBL	Front Cover Assembly " "	Red Left Side Silver " Black "	1 1 1
	2~5 26,33,34	ZCPCBM100Y-FRR " -FSR " -FBR	" " "	Red Right Side Silver " Black "	1 1 1
	1	VJC1288-007	Front Cover	Left side Silver	1
	"	" -005	"	" Red	1
	"	" -009	"	Black	1
	2	VJD4703-003	Lens	Silver	1
	"	" -008	"	Red	1
	"	" -009	"	Black	1
	3	VJD4704-002	Side Plate		2
	4	VJD4705-002	Punching Panel		1
	5	VJD4709-001	Plate		1
	6	EAS9P106S	Speaker		1
	7	VYH4352-002	Clamp		3
	8	SBSF3010Z	Tap Screw		4
	9	VJD3408-002	Holder	Silver	1
	"	" -001	"	Red	1
	"	" -001	"	Black	1
	10	VJD4702-001	Lever		1
	11	VYH5250-001	"		1
	12	VJD4706-002	Plate		4
	13	SSSF3010N	Tap Screw	Silver	6
	"	SSSF3010M	"	Red/Black	6
	14	VXP4326-002	Push Knob	Silver	1
	"	" -001	"	Red	1
	"	" -001	"	Black	1
	15	VYH5341-001	Bracket		1
	16	" -001	"		2
	17	VJC2116-002	Rear Cover	Silver	1
	"	" -001	"	Red	1
	"	" -003	"	Black	1
	18	VYH4668-001	Battery Spring		1
	19	VYH5016-001	Battery Contact		1
	20	VYH4669-001	Battery Spring		1
	21	QHS3876-252	Cord Stopper		1
	22,23,31	PCBM100-BS " -R " -B	Battery Cover Ass'y " "	Silver Red Black	1 1 1
	22	VJC3035-002	Battery Cover	Silver	1
	"	" -001	"	Red	1
	"	" -003	"	Black	1
	24	VMC0016-001	Connector Ass'y		1
	25	VYNA420-002	Name Plate		1
	26	VJC1288-008	Front Cover	Right Side Silver	1
	"	" -006	"	" Red	1
	"	" -010	"	" Black	1
	27	VYH3246-001	Bracket	Left Side	1
	28	-	Hook up P.W. Board		1
	29	SDSP3004R	Screw		5
	30	VKW3002-125	Spring		1
	31	VYSR101-004	Spacer		4
	32	VYH5379-002	Speaker Stay		1
	33	VJD4737-001	Plate		1
	34	VJD4737-002	"		1
	35	VYTA483-001	Spacer		1
	36	VYSA1R3-027	"		2
	37	" -028	"		2
	38	VYSH103-036	"		2
	39	VYTS419-001	"		2

△	Ref. No.	Parts No.	Parts Name	Remarks	Q'ty
	40	VYH3246-002	Bracket	Right side	1
	41	Q03091-109	Washer		4
	42	VKZ4214-001	Sound Absorber		1
	43	VYSA1R2-020	Spacer		1
	44	VYTA484-001	"		1
	45	VYSA1R6-034	"		2
	46	VYH5392-002	Sheet		1

Wiring Connection

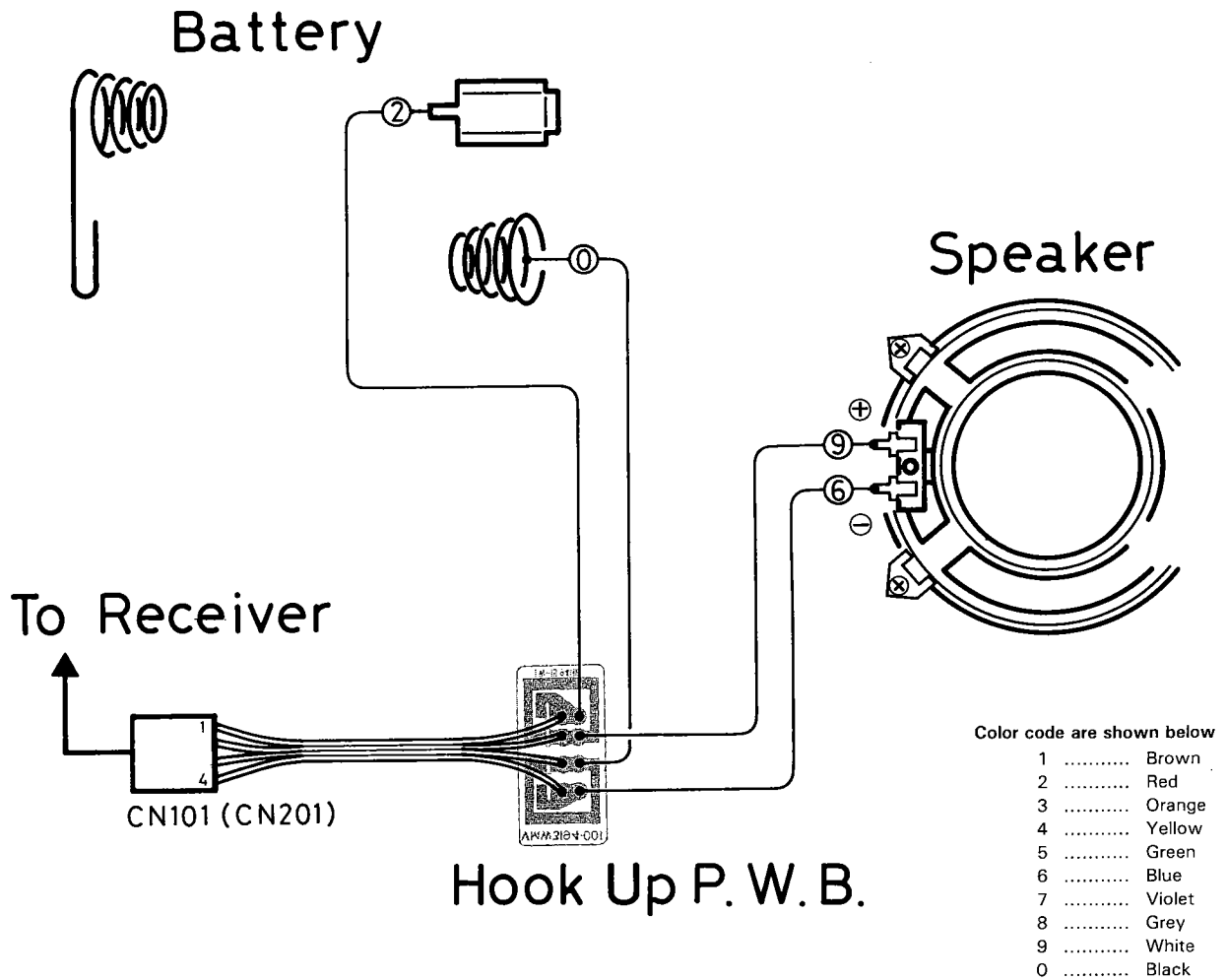


Fig. 39

Replacement of Main Parts List

⚠ parts are safety assurance parts.

When replacing those parts, make sure to use the specified one.

⚠	Ref. No.	Parts No.	Parts Name	Remarks
	< Trans. Coil > L1 L2,3 L4 L5 L6	VQF1B12-001 VQB010A-304 VQR7002-301 VQF1B10-001 VQM7S02-301	FR Coil Bar Ant Ass'y RF Coil OSC Coil "	FM MW SW1 SW2 FM MW
	L7 L8 L9 L10 L11	VQS7T01-301 VQR7002-301 VQC1304-002 T41572-001 VQC1304-001	" " Coil Inductor Coil	SW1 SW2 FM
	T1,T2 T3,CF1 T4 T301 CF2,3 B.P.F	VQT7F12-104M VQT7A21-102 VQT7A11-203 VTP09Z2-12B V03059-013 VBP3M4B-001	IFT " " Power Trans. C. Filter B.P. Filter	
	< IC > IC1 IC2 IC301 IC302 IC303	AN7222N AN7410N M5218L LA2001 TA7232P	IC " " " "	
	< Transistor > Q1,3 Q2 Q4,6 Q5 Q7	2SA1177 (E) 2SC535 (B) 2SC2063 (N) 2SC923 (U) 2SK104 (H)	Transistor " " " F.E. Transistor	
	Q8 Q101,201,303 304 Q302 Q306	2SK246 (GR) 2SC2785 (E,F) 2SD468 (C) 2SD1266 (P,Q)	" Transistor " "	
	< Diode > D1 D2,3,4,310,311 D301,303,305 306,307,308 309 D304	1S553T MA165 10E2 HZ6A2	Var. Capacitor Si. Diode " Zenner Diode	
	< Volume > VR301 VR302 VR303	QVZ5017-003 QVZ5203-003 " -004	V. Resistor " "	Volume 20 kΩ (A) BASS 50 kΩ (D) TREBLE 50 kΩ (A)
	< Switch Jack Socket > S1~5 S301-1~2 S303 S305-1~4 S306-1~2	QST3521-V01 QST3101-V03 QST2101-V04 QST3101-V04 QST3101-V03 QSS2325-103 " -112	Push Switch " " " " Slide SW "	AUX Function MS 220/240/120 V 220/240/110 V
⚠	J302,S302 J303 J304,S304	QMS3507-001 QMA1221-004 QMC0262-003	Jack " AC Socket Ass'y	Head Ph. EXT. DC
	< Knob > 59 60 61	VXP4325-001 VXS4105-001 VXS4106-001	Push Knob Slide Knob "	

△	Ref. No.	Parts No.	Parts Name	Remarks
△	<Other Parts> VC1-1,2 VC2-1,2 TC1,4,5,8 VR1 R113,213,327	QAP1224-521V QVZ3512-103 QRH141J-4R7 QMF51C3-R25 " -2R0	V. Capacitor V. Resistor Fusible Resistor Fuse "	PC-100W/WH PC-100C/JW
	CN301 CN101,201	QMV5005-007 VMC0015-004	Connector "	
	<Receiver> 1~7	ZPCMR100Y-FR " -FS " -FB	Front Cabinet Ass'y " "	Red Silver Black
	79 " " "	VJC1286-003UL VJC1287-003 " -003UL " -006 " -008	Front Cabinet Rear Cabinet " " "	Silver (for PC-M100JW) Silver PC-M100W/WH " PC-M100JW/C Red Black

Deck Section

△	Ref. No.	Parts No.	Parts Name	Remarks
	<Trans. Coil> L501,601 L502,602 L503,603 L701	VQZ0021-001 VQP0013-152 VQP0009-103 VGC0013-001	Trap. Coil Inductor " OSC Coil	
	<IC> IC701 IC702 IC703	TK10562 NE660D (B1) TA7688F	IC " "	
	<Transistor> Q502~508 602~608 703~707,710... Q509,609,708 711~713 Q701,702 Q709	2SC601 (Q,R) 2SD1048X 2SB709 (Q,R) 2SB970 (Q,R)	Transistor " " "	
	<Diode> D501,601,502 602,701~708	MA152K	Si. Diode	
	<Volume> VR501,601 VR502,602 VR503,603 VR504,604	QVZ1001-002 QVZ3515-022 " -014 " -024	V. Resistor " " "	Volume 10 kΩ (B) P.B. Level 200 Ω (B) Rec. Level 10 kΩ (B) Bias 50 kΩ (B)
	<Switch Jack Socket> S701 S702 S703 S704 S705	QSS6201-211 QSS2201-025 QSS1201-024 " -024 QSS2301-402	Slide Switch " " " "	REC/PB METAL/NORM PAUSE NR System Beat Cut
	S706 J701 J702	QSS6201-209 QMS3506-001 VMJ4013-001	" Mic Jack H.P. Jack	

△	Ref. No.	Parts No.	Parts Name	Remarks
	< Other Parts > 13~14	ZPCCMD100Y-CS	Cassette Lid Ass'y	Silver
	"	" -CR	"	Red
	"	" -CB	"	Black
	18	WM-063X	E.C. MIC	
	25	VXL4170-001	VR Knob	
	38	VJC4014-001	Battery Cover	Red
	"	" -002	"	Silver
	"	" -003	"	Black
	43	VXS4080-001	Knob	
	44	VXS4108-001	"	
	< Cassette Mechanicm Parts >			
	12	VSH1203-003	Leaf Switch	
	18	VKP4124-00A	Pinch Roller Arm Ass'y	
	22	VGH0421-017	R/P Head Ass'y	
△	31	XDE-5A3RC	Motor	
	35	VKB3000-055	Belt	
	41	VKF3121-00F	Flywheel Capstan Ass'y	
	50	VKL3438-00A	Reel Disk Bracket Ass'y	
	64	VXP4242-002	Stop Button	
	65	VXP4243-003	Play Button	
	66	VXP4244-002	F.F. Button	
	67	VXP4245-002	Rew. Button	
	68	VXP4246-002	Eject Button	
	69	VGH0212-511	Magnet & AC, E. Head Ass'y	
	75	VKC5159-001T	Tape Counter	
	76	VKB3000-050	Belt	for Counter
△	89	VGP0703-001	D.C. Solenoid Ass'y	
	91	VSH1122-001	Leaf Switch	
	93	VXP4262-002	Rec. Button	

Speaker Section

△	Ref. No.	Parts No.	Parts Name	Remarks
	1~5,33,34	ZPCCBM100Y-FRL	Front Cover Ass'y	Left side Red
	"	" -FSL	"	" Silver
	"	" -FBL	"	" Black
	6	EAS9P106S	Speaker	
	24	VMC0016-001	Connector Ass'y	
	2~5,26,33,34	ZPCCBM100Y-FRR	Front Cover Ass'y	Right side Red
	"	" -FSR	"	" Silver
	"	" -FBR	"	" Black

Accessories

Parts No.	Parts Name	Remarks	Q'ty
QMP7640-183	Power Cord	PC-M100W	1
VJY4018-00A	Headphone Ass'y		1
VJB2008-00A	Carring Case Ass'y		1
VNM0910-901	Instruction Book		1
VNF0912-001	Feature Sticker		1
VGT12M2-J02	Cassette Tape		1
V04062-001	Simens Plug		1
VJH4055-00C	Handle Ass'y		1
QMP1240-183	Power Cord	PC-M100JW/C	1
BT20044D	Safety Instruction	PC-M100JW	1
VNM0912-901	Instruction Book	PC-M100JW/C	1
BT20047A	Warranty Card		1
BT20046B	Special Replay Card		1
VYH5392-00C	Protector Ass'y		1
" -00D	"		1

Packing

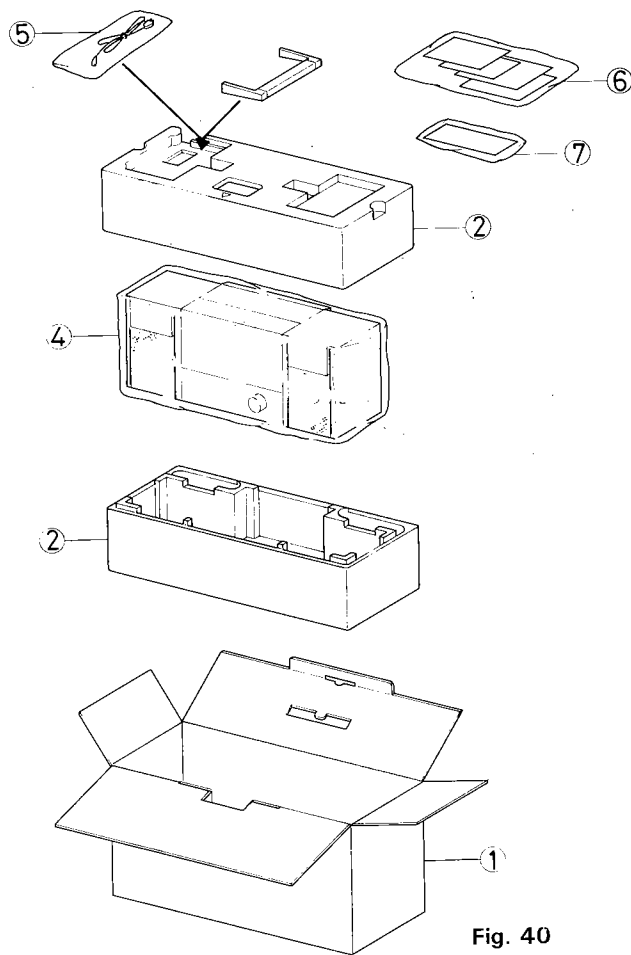


Fig. 40

Positions of controls and switch knobs at remarked packing renewed

Band	: FM ■
Mode	: STEREO ■
Function	: Radio ■ / Tape ■
Music scan	: OFF ■
Power	: OFF ■
Tuning	: Aprox 600 kHz
Slide knobs	: Center
Tape counter	: 000
Volume (Deck section)	: Center
Pause	: OFF
Tape select	: Aprox Normal
Beat cut	: 1
ANRS/DOLBY B	: OFF

Packing Parts List

△	Ref. No.	Parts No.	Parts Name	Remarks	Q'ty
	1	VPD5088-J07	Carton	PC-M100JW	1
	"	" -J17	"	PC-M100C	1
	"	" -J05	"	PC-M100W	1
	2	VPH1281-001	Lower Cushion		1
	3	VPH1280-001	Uper Cushion		1
	4	QPGA050-05005	Poly Bag	for Unit	1
	5	QPGA012-02505	"	for Power Cord	1
	6	QPGB024-03404	"	for Instruction Set	1
	7		Warranty Card		1
	9	VJH4051-001	Handle		1

JVC

VICTOR COMPANY OF JAPAN, LIMITED
 RADIO & RECORDING MACHINE DIVISION 10-1, 1-chome, Ohwatari-cho, Maebashi-city, Japan